



Fox Delta

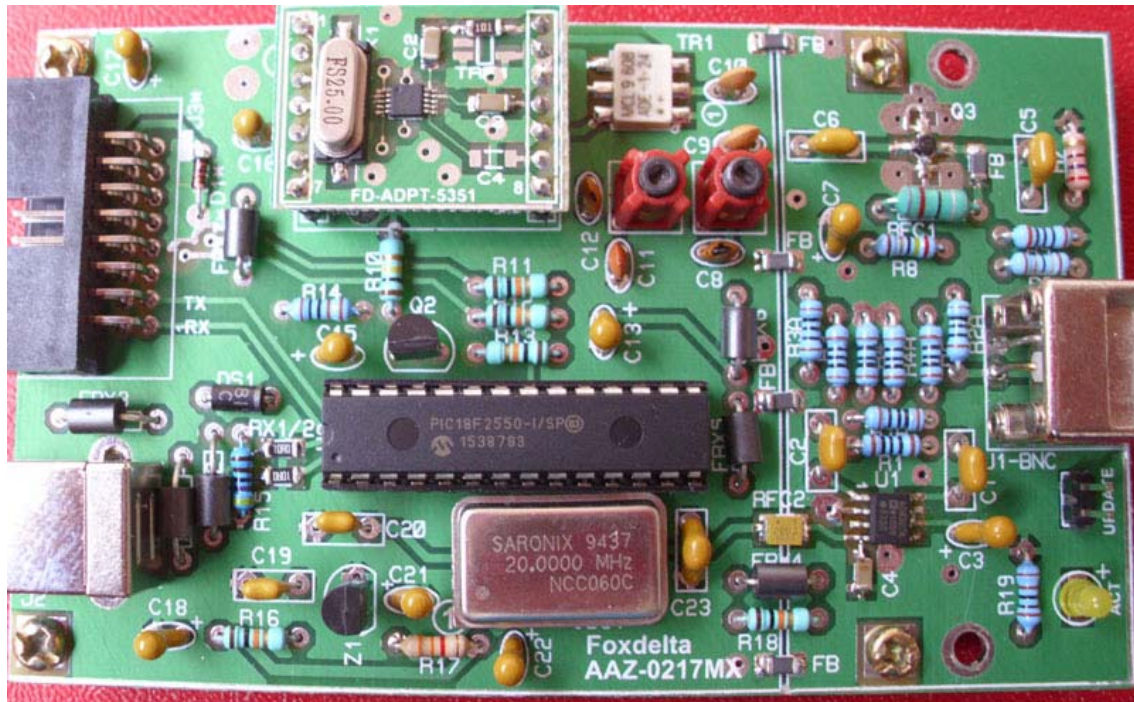
Amateur Radio Projects & Kits

FD- AAZ-0217MX

Schematic & Parts list: 1 - 60MHZ HF PIC18F2550 USB Antenna Analyzer

AAZ- 0217MX KIT:

USB 1 to 60MHZ Antenna Analyzer



Si5351 Assembly:



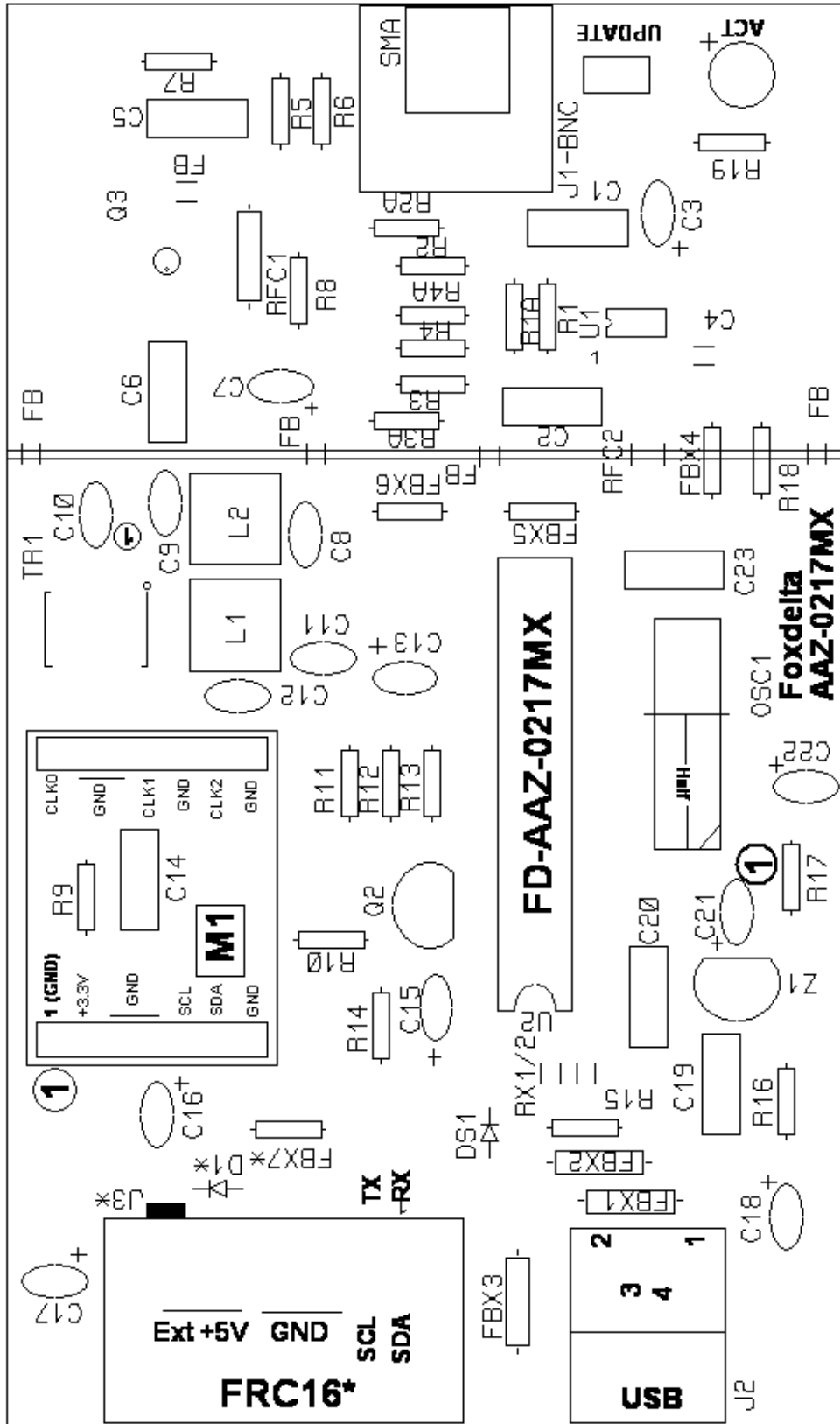
Kits are supplied with Si5351 chip Pre-soldered on a carrier board (M1) for easy assembly. This plug-in module is supplied assembled and tested for HF range (3 to 6-MHZ) before including with kits.

AAZ – 0217MX KIT Parts List:

Quantity	Part ID	Part Details
1	U2	PIC18F2550 FW V1.03
1	M1#	Si5351: Assembled and Tested
1	U1#	AD8307 SO8
1	TR1#	ADE1 SO6
1	U3#	PCA9306 SO8
1	OSC	20MHZ OSC FULL or HALF
1	LED	3mm
1	Q3#	ERA3SM
1	Q2	2N7000
	Q1#	AO4405 (PNP Switch)
1	IC Socket	28PIN DIP
1	PCB	FD-AAZ-0217MX DSPTH PCB
1	Z1	LM385-2.5V
1	U4#	AMS1117 – 3.3V
2	L1, 2	Air Inductors
7	FBX1, 2, 3, 4, 5, 6, 7	Ferrite Bead Inductors
1	RFC1	82 -100uH RFC
1	RFC2#	22 – 47uH 1206
1	J1	BNC R/A PCB or SMA R/A
1	J2	USB Socket, R/A, PCB Type
1	J3	FRC16 R/A PCB
6	Ferrite beads #	FX and FB Beads 1206 SMT Pre-Soldered
1	D1	1N4148
1	2PIN Header	FW Update Header
1	DS1	1N5718/19
	All Resistors ¼ W 5%	
1	R5	300 Ohms
1	R6	18 Ohms
1	R7	270 Ohms
8	R1/A, R2/A, R3/A, R4/A,	100 Ohms
1	R8	27 Ohms
1	R10	100K
1	R9	180K
3	R11, 12, 13, 16, 18	10K
1	R17	3.3K
2	R14, 19	1K
1	R15	4.7K
2	RX1, RX2#	1206 10 to 22 ohms
	Capacitors	
1	C23	0.47uF Poly
2	C19, 20	.001uf Poly
1	C4#	0.1uF 1206
5	C6, 5, 2, 1, 14	0.1uf Poly
8	C3, 7, 13, 15, 17, 18, 21, 22	1uf Tantalum
1	C16	10uF Tantalum
2	C10, 9	22pf Ceramic
2	C 11	33pf Ceramic
3	C8, 12, CX3	10pf Ceramic
2	CX1, CX2#	10 to 22pf 1206

Pre-soldered on board

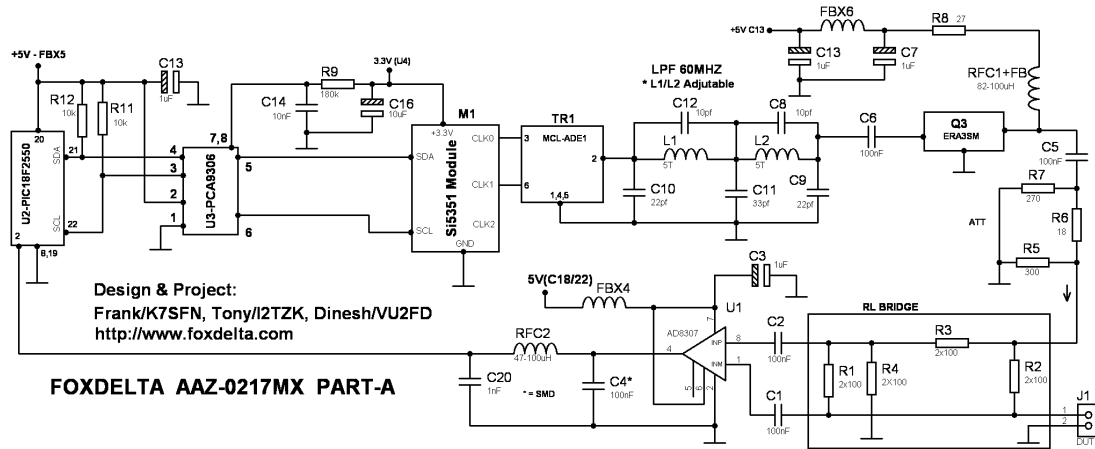
AAZ-0217MX SILK: TOP SIDE



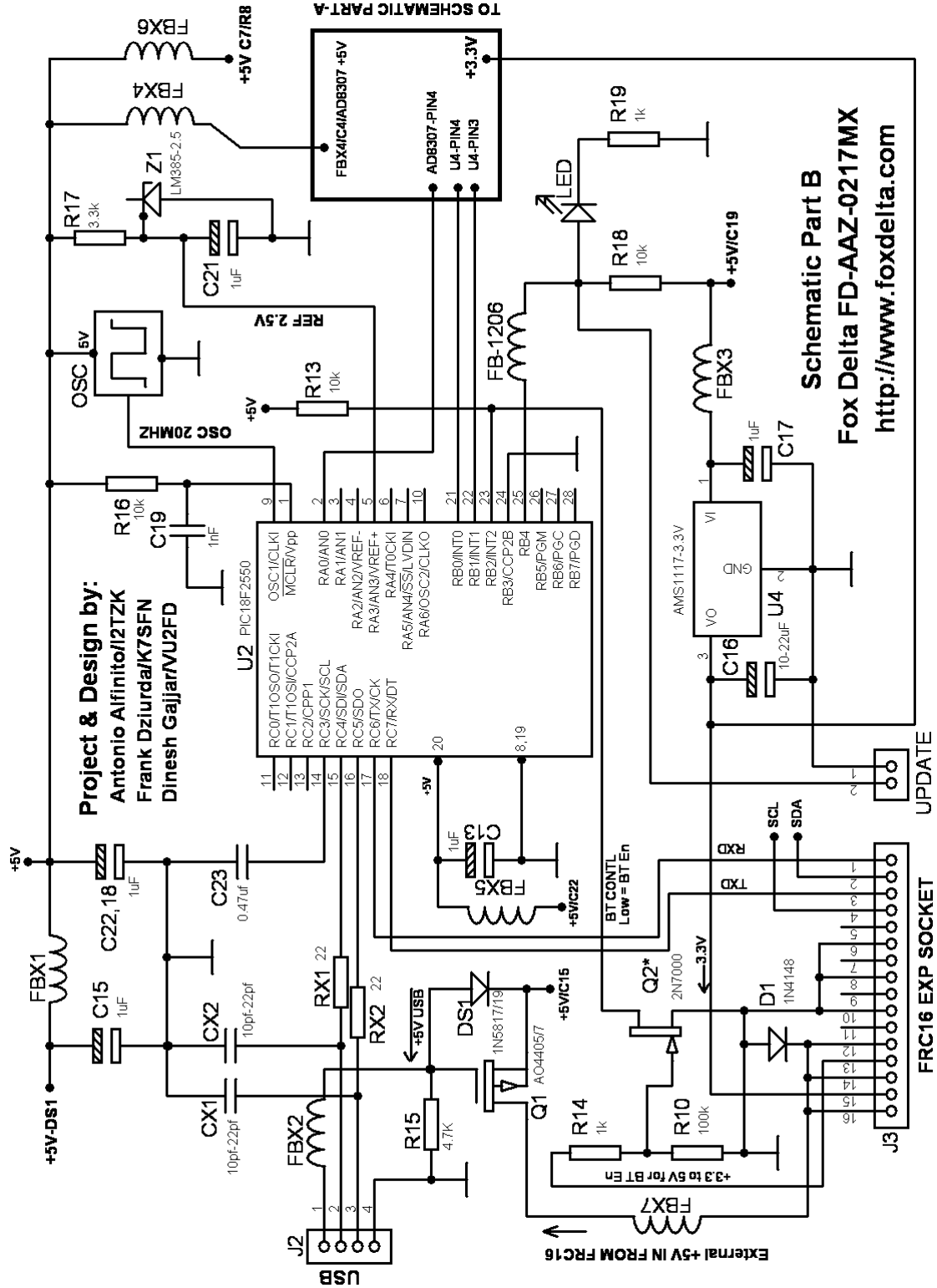
AAZ-0217MX SOLDER SIDE SILK:



AAZ-0217MX Schematic A:



AAZ-0217MX Schematic-B:



73s / Dinesh Gajjar
 28th August 2017

For more details, please visit Project Page: <http://www.foxdelta.com>