



FC5-0815: 500MHZ Freq Counter + RF Meter add-on Board For GCPuX

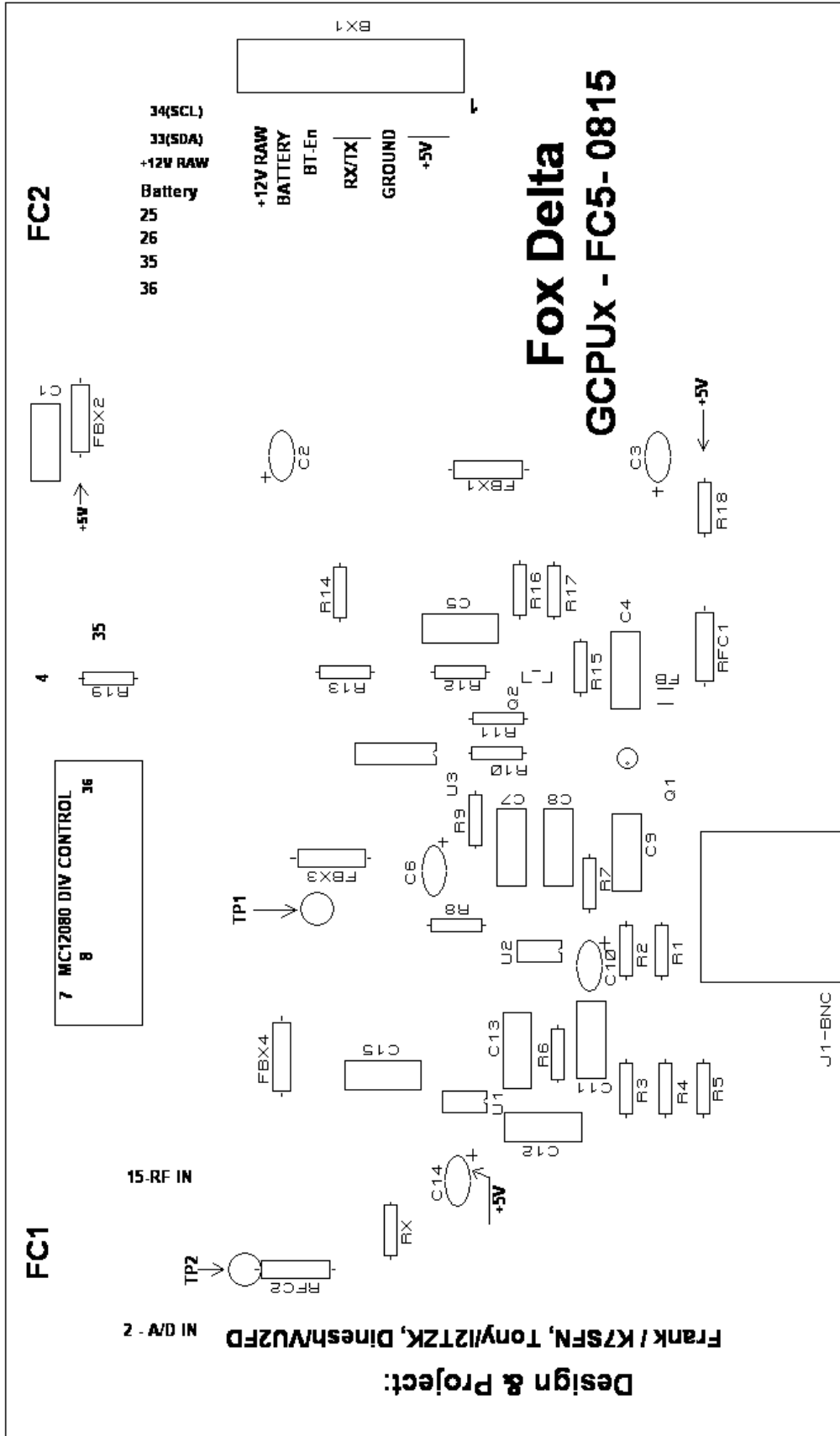
FC5-0815 KIT PARTS LIST:

Quantity	Part No.	Part ID
1	PCB	F5-0815 DSPTH PCB
2	FC1, FC2	FRC16M PCB Straight Interconnect to CPU
1	BX1	SIL8 PCB Connector (Battery Board Expansion)
1	J1	BNC R/A
1	Q1*+FB*	ERA3SM + FB 1206
1	U1*	AD8307 SO8
1	Q2*	BFR93A
1	U2*	MC12080 SO8
1	U3*	74VHC00 SO14
2	RFC1 – RFC2	82-100uH
4	FBX1- 4	FB Inductors
1	Set	PCB Hardware
Capacitors		
4	C2, 3, 10, 14	1uF Tantalum
2	C1, 15	0.1uF
8	C4, 5, 7, 8, 9, 11, 13, 12,	0.01uF
Resistors		
3	R1, 2, 3	18
2	R4, 5	100
1	R6	100K
1	R7	10
1	R8	820
2	R9, 13	750K
1	R12	680K
1	R18	33
2	R11, 16	220
1	R15	1.5K
1	R14	4.7K
1	R10	820K
1	R19	1K
1	R17	470

Note:

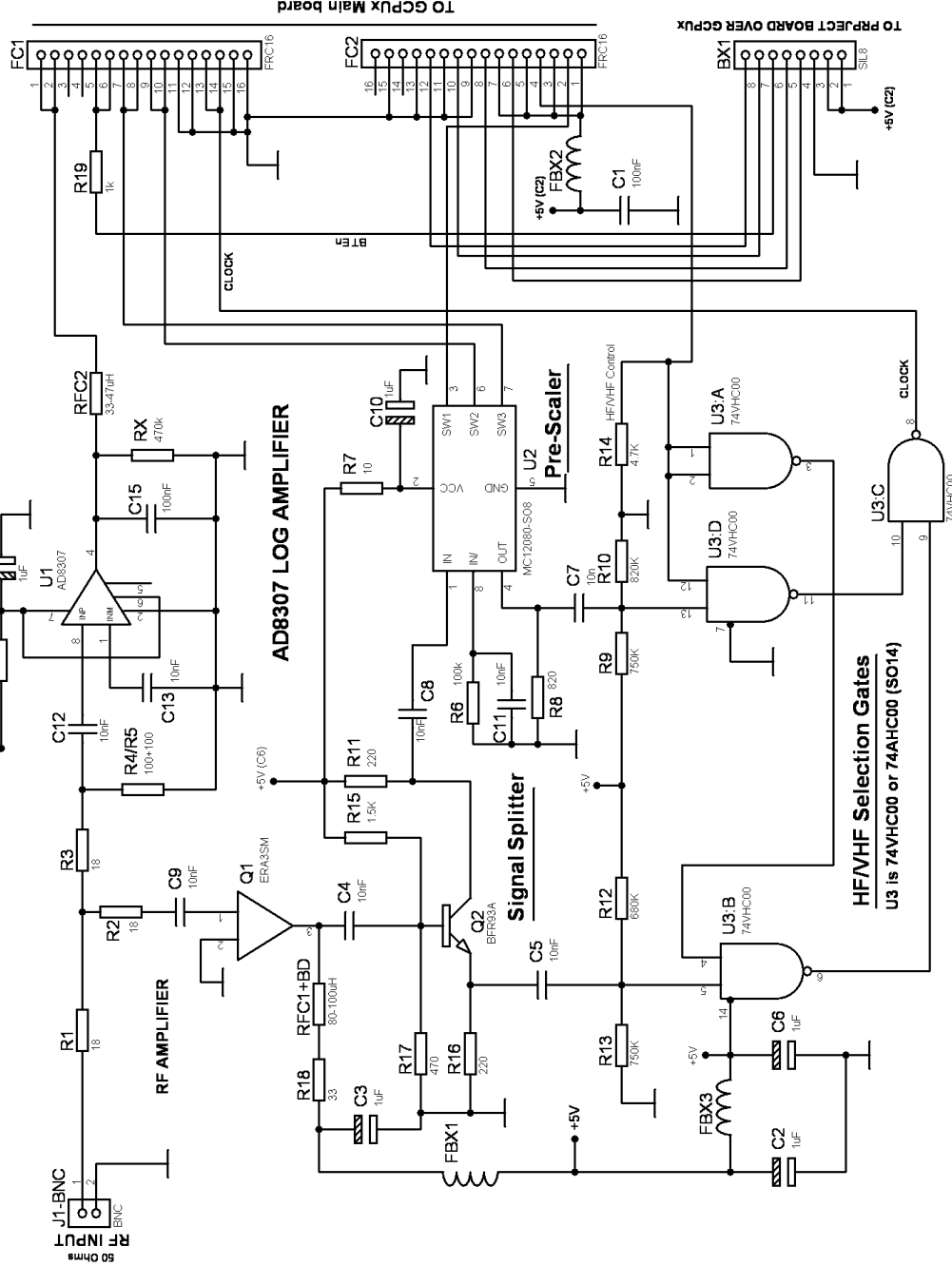
1. FC5 is an add-on board for GCPuX-0815, together they make an SWR measuring device.
2. ALL SMT Parts are Pre-Soldered on PCB

FC5-0815 PCB SILK:



FC5 0815 Schematic:

FC5 - 0815 50 / 500MHZ Frequency Counter & RF Meter for GCPuX Project



Project & Design: ANTONIO ALFINITO / I2TZK, FRANK DZIURDA / K7SFN, DINESH GAJJAR / VU2FD

73s
Dinesh Gajjar,
29th Dec 2015

For more details please visit <http://www.foxdelta.com>