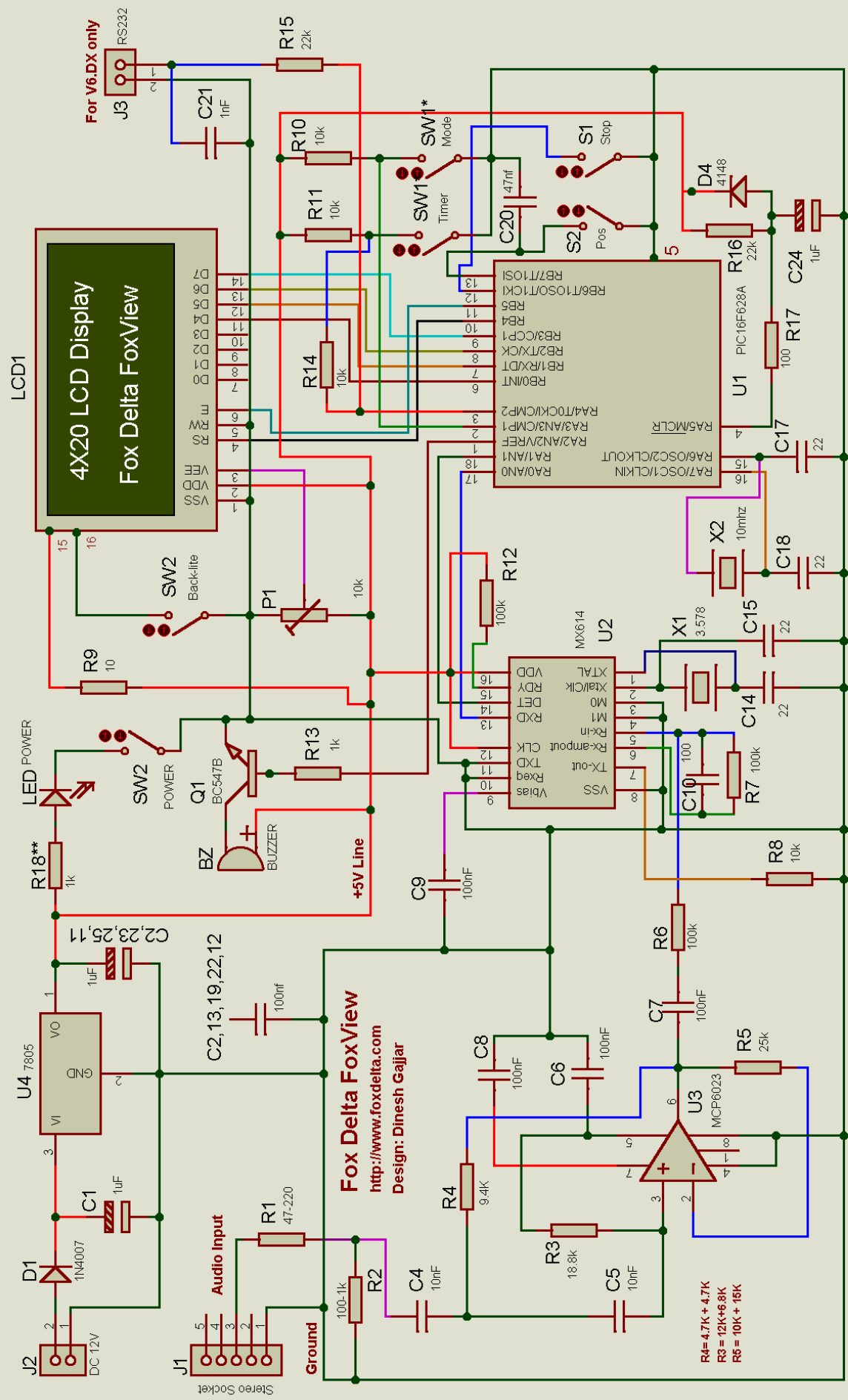




FoxView Schematic & Parts List: LCD APRS Viewer using PIC16F628A & MX614

FoxView Kit Packing List & PCB Component Layout

Quantity	Check	Part ID / Details
1		FoxView Double Sided PTH PCB
1		Stereo Connector 3.5MM (J1)
1		DC Connector (J2)
1		1N4148 (D4)
1		1N4007 (D1)
1		PIC16F628A with firmware FoxView.hex
1		MX614DW (Pre-soldered on PCB)
1		MCP6023 (Pre-Soldered on PCB)
1		18PIN IC Socket (For PIC16F628A)
1		7805
6		1uf/35V Tantalum (C1, 2, 11, 23, 25, 24)
8		0.1uf ceramic capacitors (C2,13,19,22,12,8,6,7)
2		0.01uf Ceramic (C4, C5)
1		1000pf Ceramic (C21)
4		22pf ceramic (C14, 15, 17, 18)
1		100pf Ceramic (C10)
1		0,047uf Ceramic (C20)
1		Crystal 10.000MHZ (X2)
1		Crystal 3.578MHZ (X1)
1		Transistor BC547B (Q1)
1		10k Presets (P1)
1		LEDs 3mm
2		2 position DIP Switches (SW1 & SW2)
3		4mm Push Buttons (S0, S1, S2)
1		Buzzer
1		Set of header: 16pin Male/Female for LCD
4		Sets: Nut, Bolt & Plastic Spacers for LCD
1		LCD 4x20 with Back-Light
		Resistors (0.5W 5%)
2		4.7k (R4+R4A)
2		15K+10K (R5+R5A)
2		12K+6.8K (R3+R3A)
3		100k (R12, 7, 6)
4		10K (R8, 14, 11, 10)
1		10 ohms (R9)
1		100 ohms (R1)
2		1K (R2, 13, 18)
2		22k (R15, 16)



LCD1
 4X20 LCD Display
 Fox Delta FoxView

For V6,DX only
 J3 RS232

LED POWER
 SW2 Backlite

POWER
 SW2

DC 12V
 J2

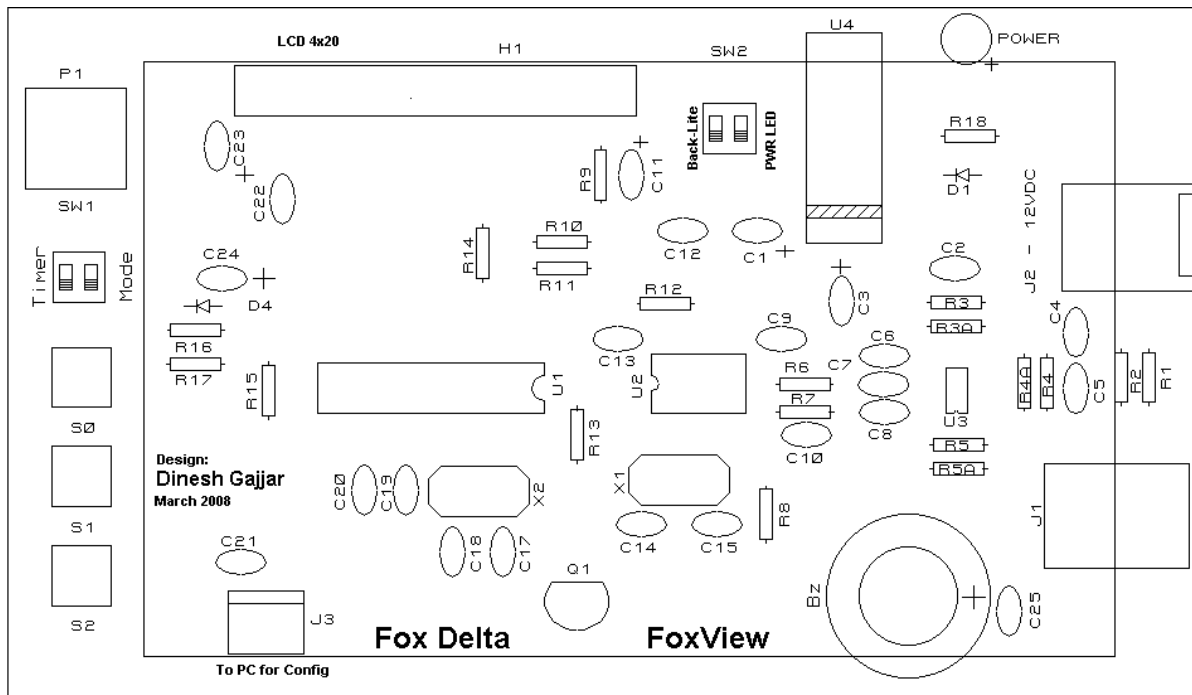
Stereo Socket
 J1

Fox Delta FoxView
<http://www.foxdelta.com>
 Design: Dinesh Gajjar

R4= 4.7k + 4.7k
 R3 = 12k+8.8k
 R5 = 10k + 15k

Note: R1= 100 ohms & R2= 1K Standard. Change if your audio from rig too loud for FoxView!

Component Placement:



Note:

- 1) Observe polarity for buzzer & C25. + Marking is for both of them.
- 2) If you are going to make a box for this project, you may mount SW1/2 and S0-S2 under the PCB to get access from the backside of the box with appropriate openings.
- 3) If you wish to use backlight all the time, you may need (recommended) a heat sink for U4.

Dinesh Gajjar
5th April 2008

Please visit project page at: <http://www.foxdelta.com>