



PM5-0815: Dual Channel RF POWER Meter Board For GCPuX CPU

Technical Information Document

PM5-0815 Add-on board kit for GCPuX : PARTS LIST:

Quantity	Part No.	Part ID
1	PCB	PM5 -0815 DSPTH PCB
2	FC1, FC2	FRC16 Male Connectors (Board Interconnect)
1	BX1	SIL8 PCB Connector (Battery Board Expansion)
2	J1, J2	BNC R/A PCB
1	A1	ERA3SM / SGA3464
2	U1, U2	AD8307 (Pre-Soldered)
1	Q1	2N3553
4	FBX1 – FBX4	Ferrite Bead Inductors
1	RFC1	82-100uH RFC
1	FB	1206 Ferrite Bead (Pre-soldered)
Capacitors		
2	C2, 13	1uF Tantalum
2	C7, 10	10pf Ceramic
9	C1, 6, 4, 5, 9, 11, 12, 14, 15,	0.1uF
2	C3, C8	0.001uF
Resistors		
1	R1	1K
6	R1, 2, 3, 10, 11, 12	100 Ohms
3	R16, 5, 14	33 Ohms
2	R4, 13	39 Ohms
0	R7, 8	470K (not used with GCPuX main board)
2	R6, 9	68 Ohms
1	R17	47K
1	R18	470 Ohms
1	R15	51 Ohms

- Note: 1. PM5 is an add-on board for GCPuX-0815.
2. SMT Parts are Pre-Soldered on board (A1, U1, U2, FB)

FC1

2 3 4 7 8 G 15 G

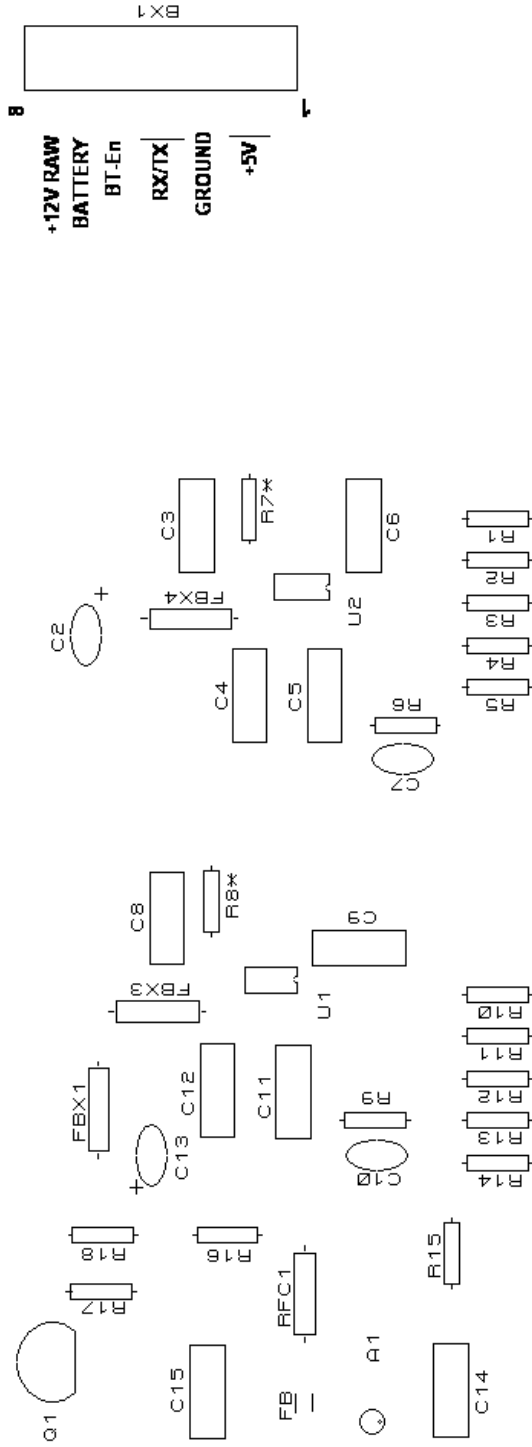
Fox Delta
GCPUX - PM5 - 0815

Design & Project:
Tony / I2TZK, Frank/K7SFN, Dinesh/WU2FD

2

FC2

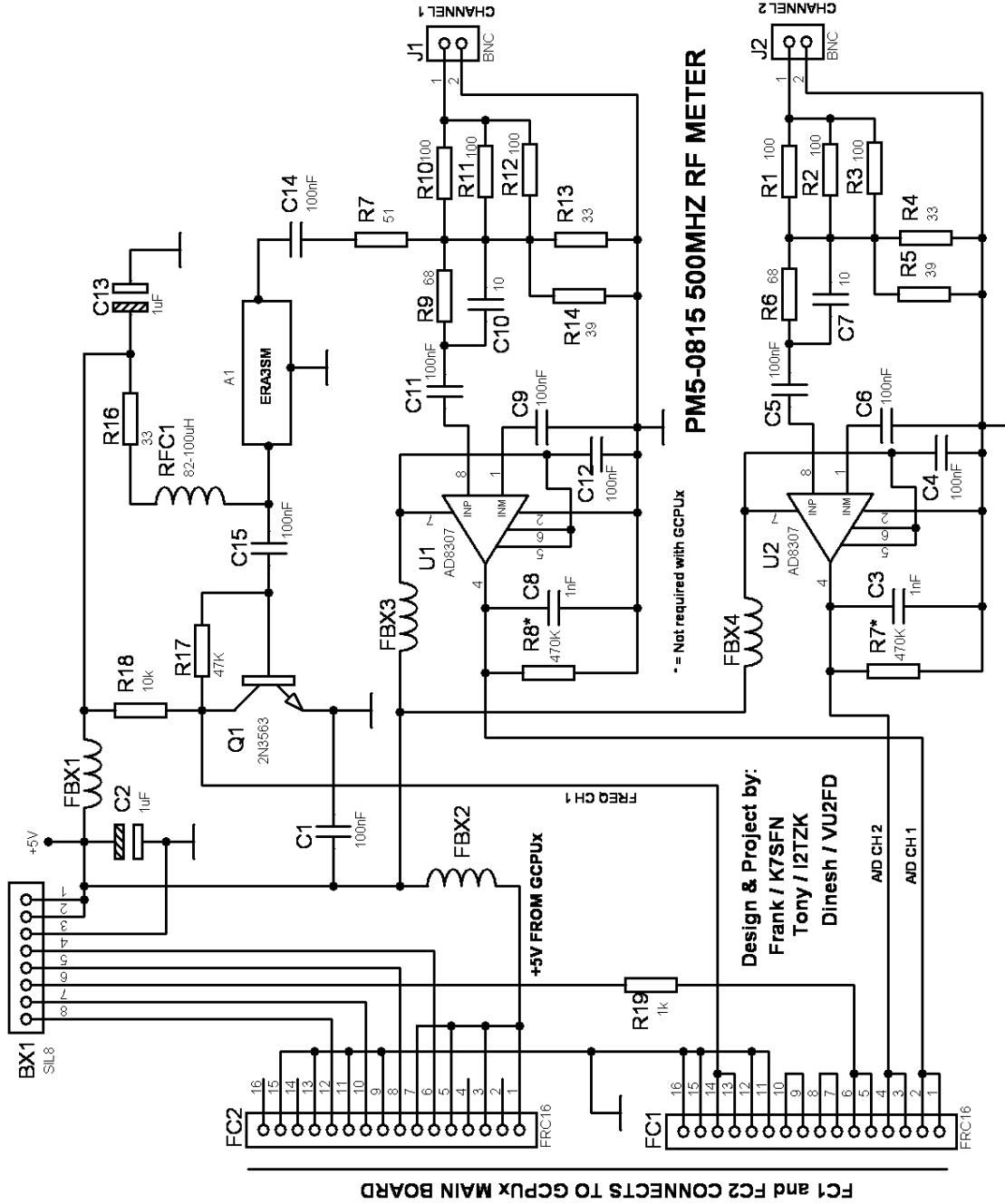
34(SCL)
33(SDA)
+12V RAW
Battery
25
26
35
36



1

2

PM5 - 0815 Schematic:



73s
 Dinesh Gajjar,
 9th November 2015

For more details please visit <http://www.foxdelta.com>