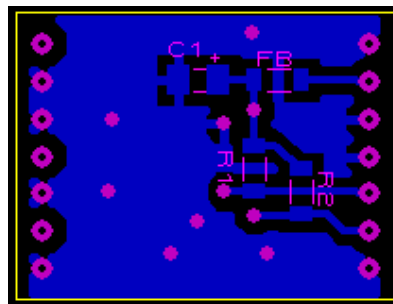
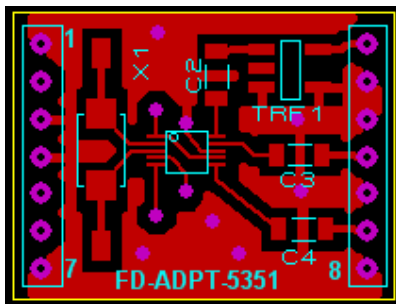




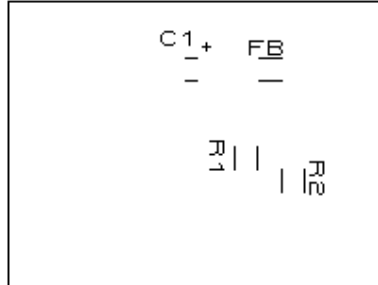
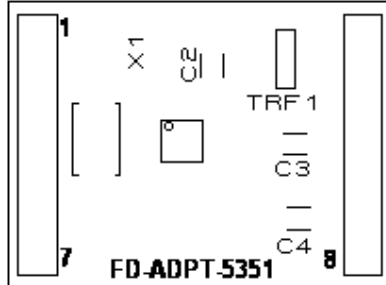
## Schematic & Parts list: Si5351 Module for AAZ, HF/VHF Receivers

### Si5351 Module:

### Top and BTM PCB Pictures:



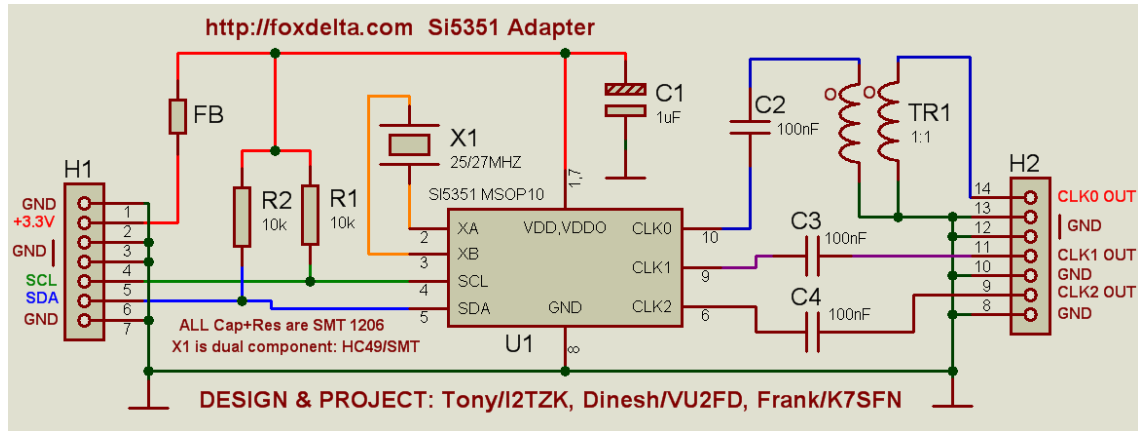
### Top and BTM PCB Silk:



### Si5351 Module Parts List: All parts are Pre-Soldered:

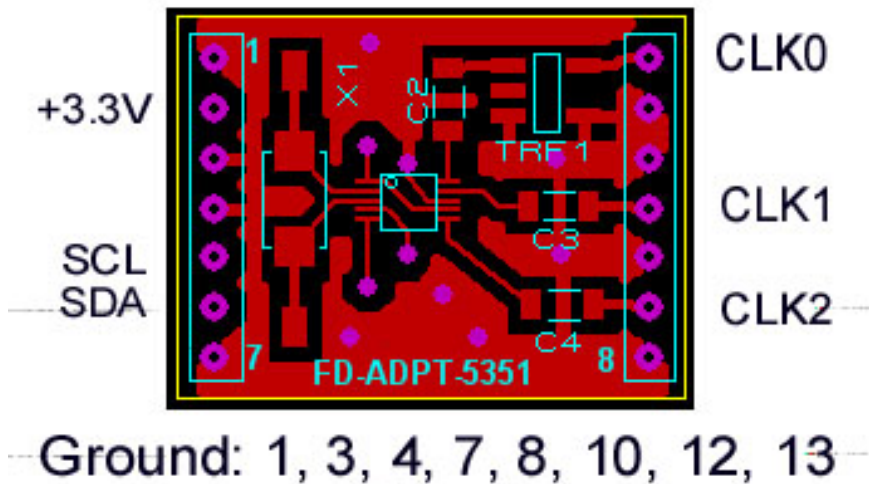
Quantity	Part ID	Part Details
1	U1	Si5351 MSOP10
1	X1	25MHZ Crystal in HC49/U or SMT 5X3.2mm
1	PCB	Module PCB + Headers
1	C1	1uF Tantalum 1206
3	C2, 3, 4,	0.1uF Capacitors 1206
2	R1, R2	10K Resistors 1206
1	FB	Ferrite Bead Inductor 1206
1	TRF1	1:1 Transformer Macom MABA-009487-60HWCA

## Si5351 Module Schematic:



## Module Pinout:

### Foxdelta Si5351 Module



## Note:

1. FB, Caps and Resistors are in SMT 1206. U1 is MSOP10, Xtal in either HC49/U or SMT 5X3.2mm.
2. TRF1 RF Transformer may be Mini Circuit's TC1-1 type or any other with same foot print.
3. PCB Size is: 20mm X 25mm

73s / Dinesh Gajjar  
10<sup>th</sup> Feb 2017

For more details, please visit Project Page: <http://www.foxdelta.com>