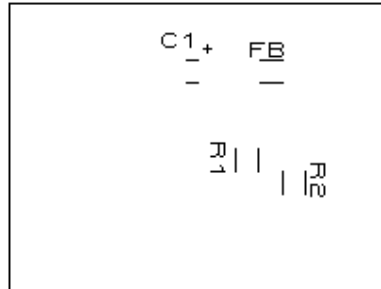
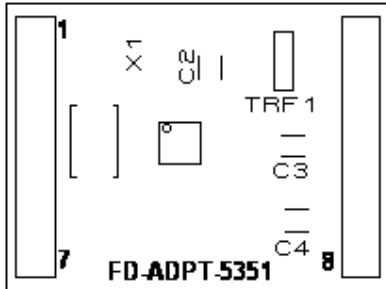




## Schematic & Parts list: Si5351 Module for AAZ, HF/VHF Receivers

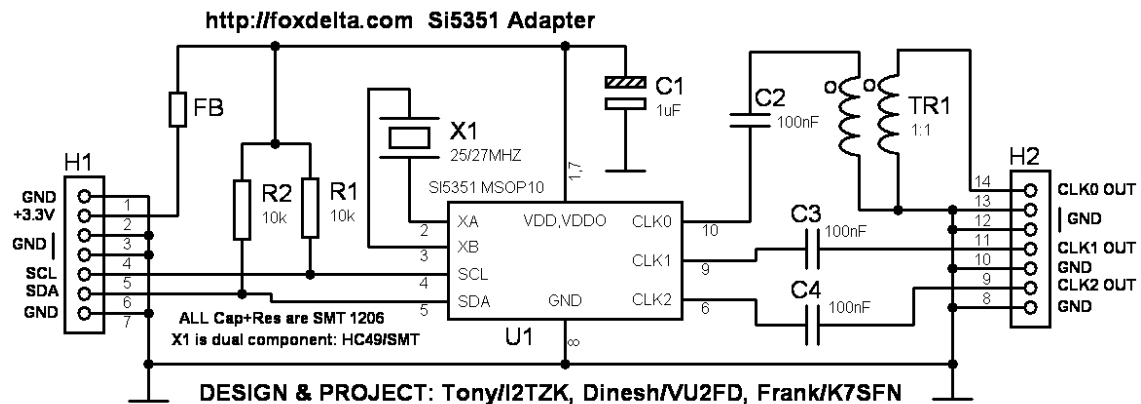
### Top and BTM PCB Silk:



### Si5351 Module Parts List: All parts are Pre-Soldered:

Quantity	Part ID	Part Details
1	U1	Si5351 MSOP10
1	X1	25MHZ Crystal in HC49/U or SMT 5X3.2mm
1	PCB	Module PCB + Headers
1	C1	1uF Tantalum 1206
3	C2, 3, 4,	0.1uF Capacitors 1206
2	R1, R2	10K Resistors 1206
1	FB	Ferrite Bead Inductor 1206
1	TRF1	1:1 Transformer Macom MABA-009487-60HWCA

### Si5351 Module Schematic:



73s / Dinesh Gajjar  
10<sup>th</sup> Feb 2017

For more details, please visit Project Page: <http://www.foxdelta.com>