



Fox Delta

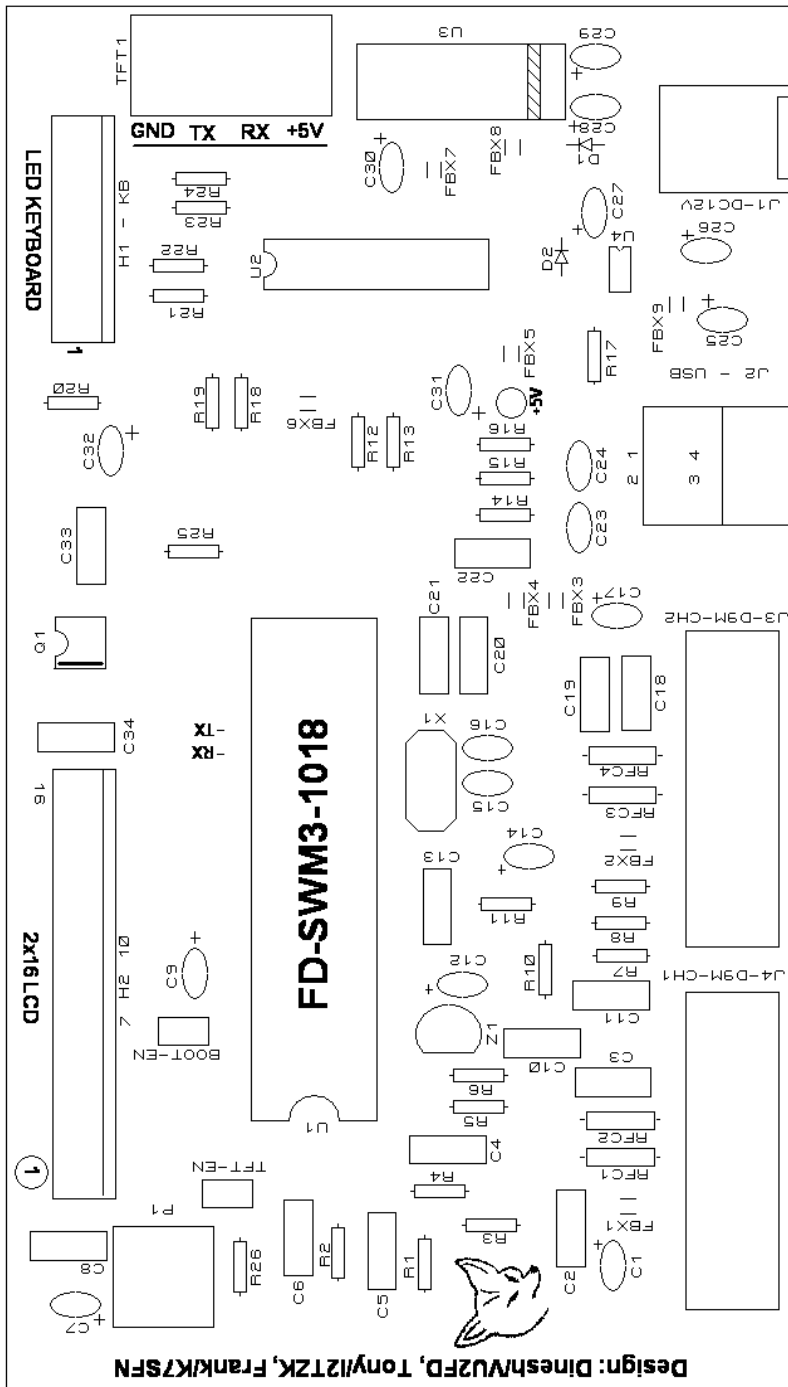
Amateur Radio Projects & Kits

FD-SWM3-0915

SWM3- 1018 Parts List: PIC18F4550 USB Dual Channel LCD HF/VHF SWR Meter

PCB Revision 1018: Accepts both, 2x16 LCD & TFT

SWM3- 1018: 2X16 LCD Version Kit Parts List, Schematic and PCB Silk

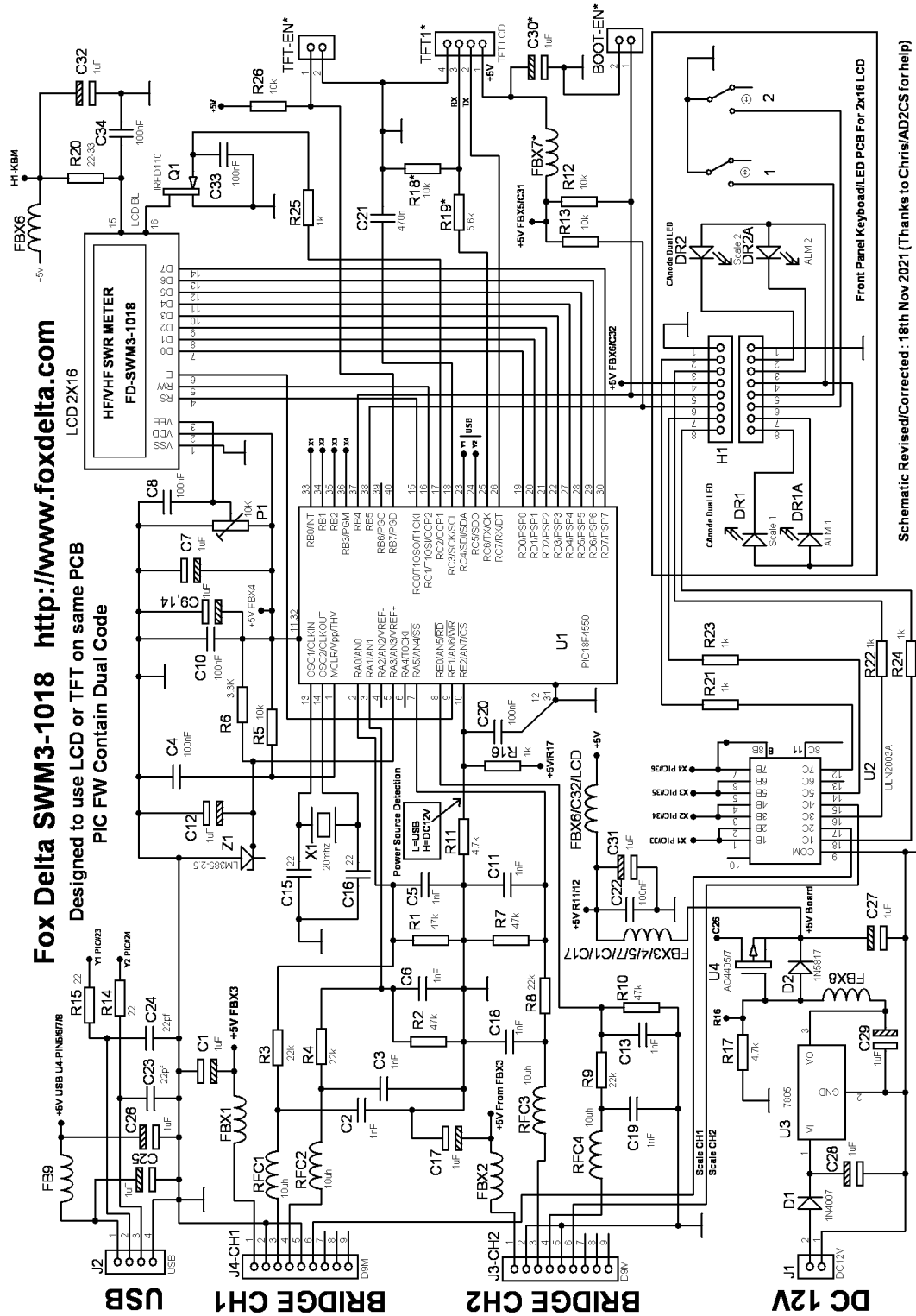


SWM3- 1018 CPU Parts List: 2x16 LCD:

Qty	Part ID	Part Details
1	U1	PIC18F4550 Pre-Programmed DIP40 PIC Firmware Version: 3.0 for 2x16LCD
1	U2	ULN2803A DIP18
1	Q1	IRFD110
1	Z1	LM385-2.5V
2	J4, 3	D9 Male R/A PCB Connector
1	J1	DC12V PCB Connector
1	J2	USB PCB Connector
2	LED	Dual LED Common Anode (LED-KB)
2	SW1, 2	12MM Push Buttons (LED-KB)
1	SWM3-KB-PCB	Double Sided PTH PCB LED-KB-0915-A
1	SWM3-PCB	Double Sided PTH PCB SWM3-0915
1	Pair	16PIN SIL Male and Ribbon for LCD (2X8)
1	Pair	8PIN SIL Male and Ribbon for Keyboard
1	LCD	2x16 LCD with Backlight
1	U4	AO4405/07 SMT PMOS FET
1	P1	10K Preset
1	X1	20MHZ Crystal in HC49U
1	U3	7805
1	18DIP	IC Socket
1	40DIP	IC Socket
4	RFC1 - 4	10uH RFCs
6	FBX1, 2, 3, 4, 5, 8	FB Inductors
1	D1	1N4007
1	D2	1N5817
1	Set	Nuts / Bolts for LCD and KB Mounting
1	Case	Free Powder Coated Metal Case
2	2PIN Headers	TFT En and BOOT (Not Required for 2x16)
All Resistors ¼ W 5%		
4	47K	R1, 2, 7, 10
6	1K	R16, 21, 22, 23, 24, 25
4	22K	R3, 4, 8, 9,
6	10K	R5, 12, 13, 26
1	3.3K	R6
2	22 Ohms	R14, 15
1	22 – 33 ohms	R20 (22 Ohms for most LCDs)
2	4.7k	R11, 17
Capacitors		
13	1uf Tantalum/35V	C1, 7, 12, 14, 9, 17, 25, 26, 27, 28, 29, 31, 32
4	22pf	C15, 16, 23, 24 Ceramic
1	0.47uf Ploy	C21
7	0.1uf Poly	C4, 8, 10, 20, 22, 33, 34,
8	0.001uF Poly	C6, 5, 2, 3, 11, 13, 18, 19

Not used for 2x16 LCD Version: Marked as *:
R18, 19, FBX7, C30, TFT1, 2PIN Headers

Schematic: SWM3 – 1018 (For TFT & 2x16LCD)



Fox Delta SWM3-1018 <http://www.foxdelta.com>

Designed to use LCD or TFT on same PCB
PIC FW Contain Dual Code

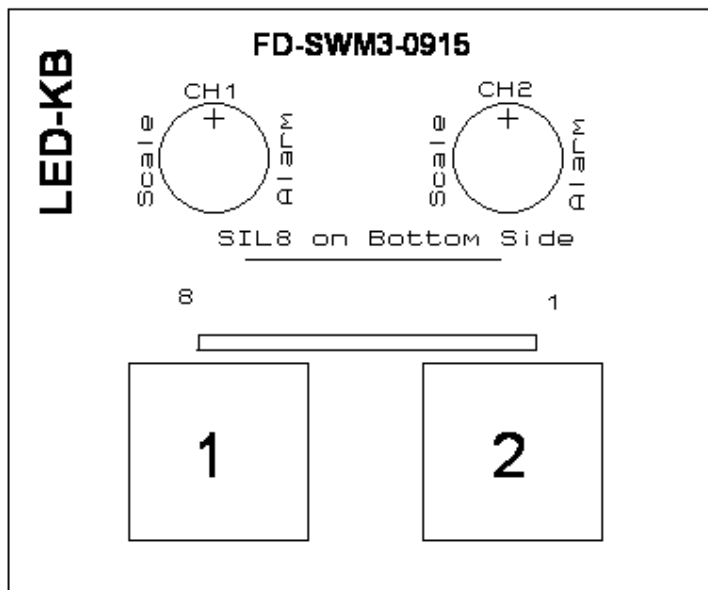
Schematic Revised/Corrected : 18th Nov 2021 (Thanks to Chris/AD2CS for help)

Project & Design by: Dinesh Gajjar / VU2FD, Antonio Alfinito (Tony) / I2TZK, Frank Dziurda / K7SFN

Note:

“Boot En” & “TFT” headers are not required for 2x16LCD.

Update of FW function for 2x16LCD is initiated by front panel button.



SIL8 connector is installed on solder side of above PCB

Note:

Dual LED has 3 terminals.

Center is common.

Long leg is Red color and short leg is green.

While installing this LED, place it in a way that Long leg goes to **“Alarm”**