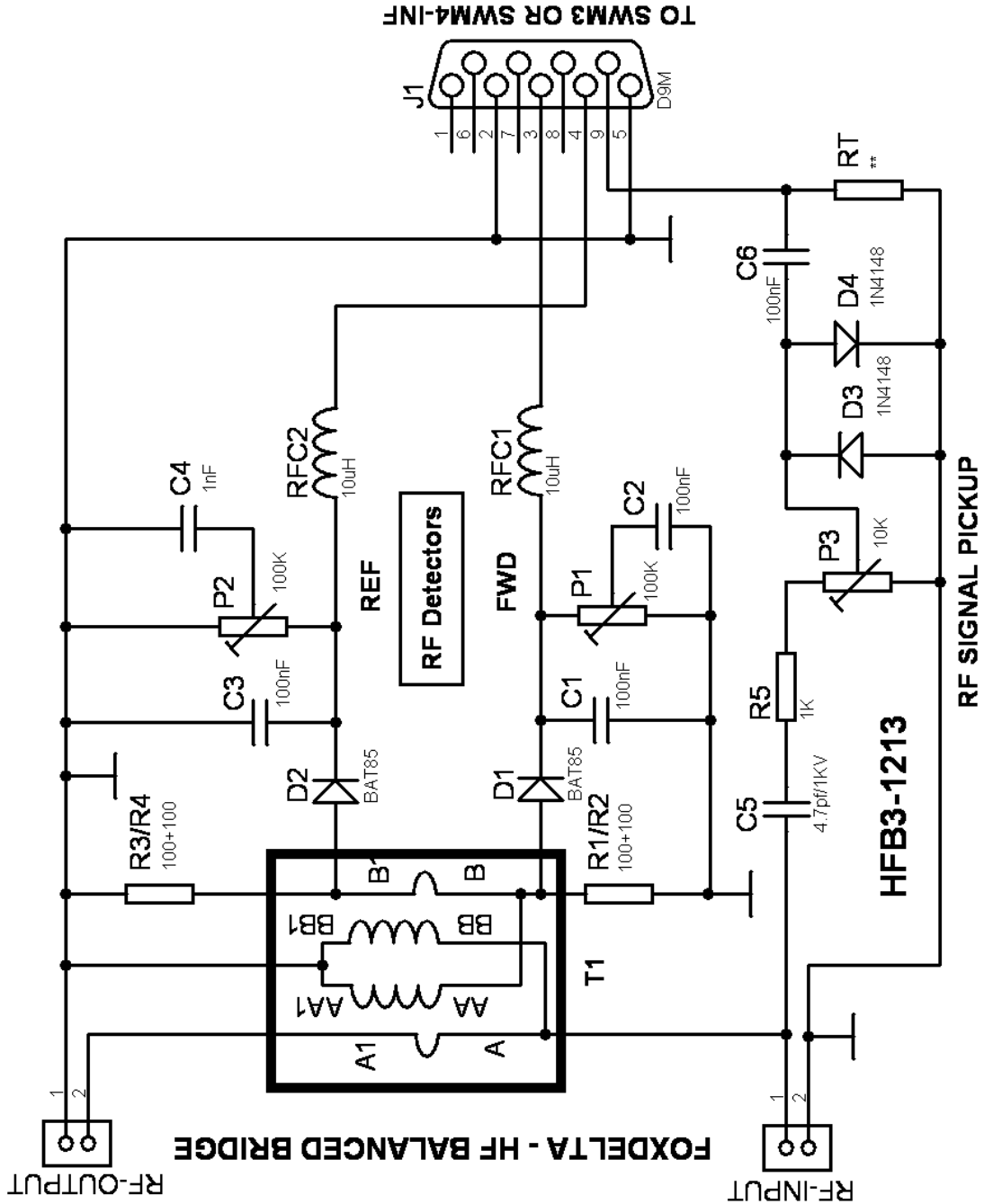


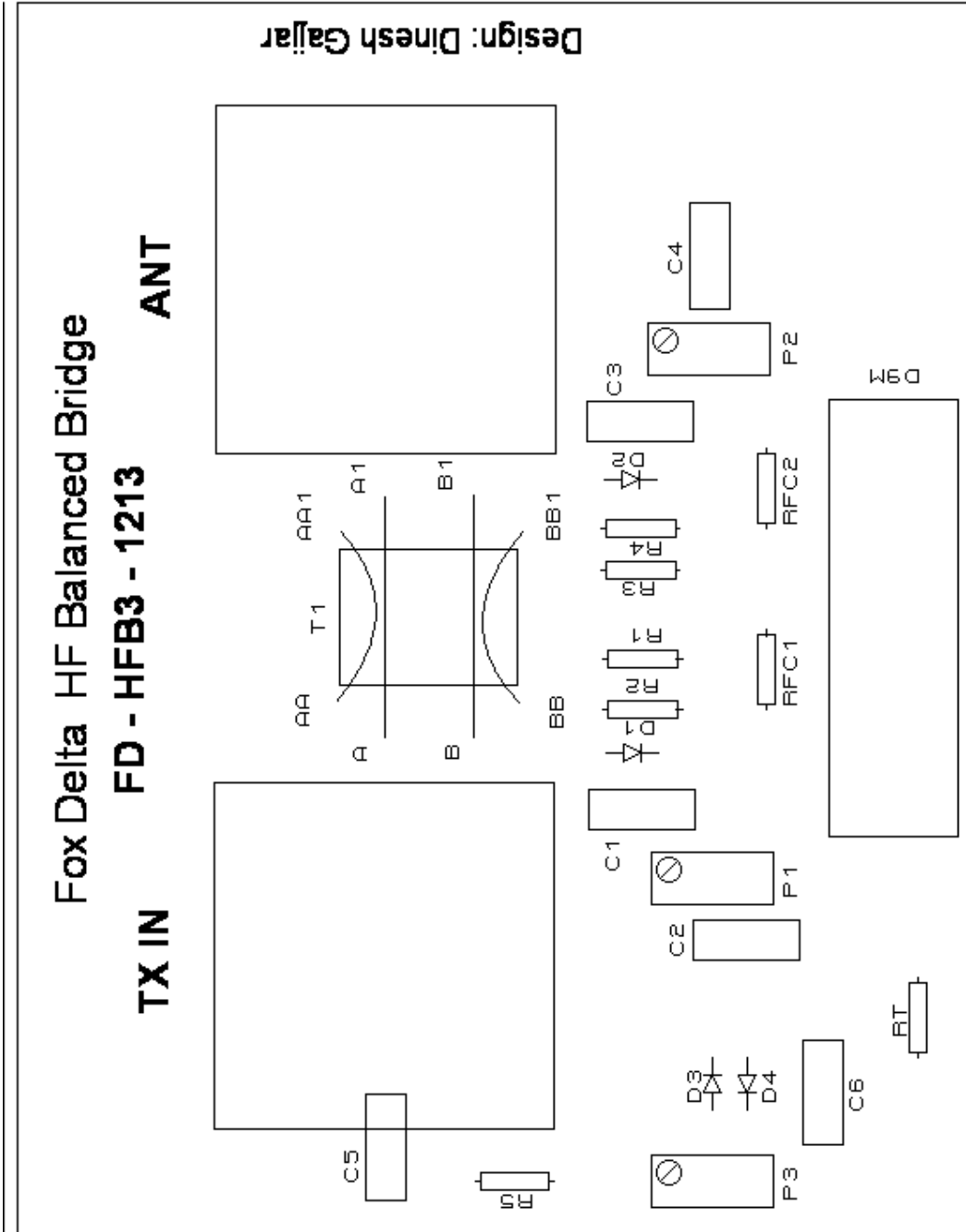


## HFB3 Kit Parts List: 100W HF Balanced Bridge for SWM3 or SWM4-INF

### Schematic: HF Balanced Bridge HFB3-1213:



Balanced HF Bridge SILK:



### HFB3-1213 HF Balanced Bridge Parts List:

Quantity	Part ID	Part Details
1	PCB	HFB3-1213 Double Sided PTH Board
2	Connectors	SO239 Panel Mount
1	D9 Connector	D9 Male Right Angle PCB
1	T1	Binocular Core Fair-Rite
2	P1, P2	100K Bourns
1	P3	10K Bourns
2	RFC1, 2	RFC 10uH
5	C1, 2, 3, 4, 6,	0.1uF Poly Capacitors
1	C5	4.7pf / 1KV Ceramic Capacitor
2	D1, D2	BAT85 Diodes
2	D3, D4	1N4148 Diodes
4	R1, 2, 3, 4,	Resistors 100 Ohms 1%
1	R5	Resistor 1K
2	Wire	25cm X 2 #28 copper wire
2	Links	2.5CM Long Multi-strand Teflon
1	Case	Free Powder Coated Metal Case
1 set	Hardware	SO239 Mounting: 16, 6mm nuts, 8 Bolts
1 set	Hardware	4 spacers, 4 bolts and 4 metal screws

73s

**Dinesh Gajjar**

12<sup>th</sup> May 2014

---

For more details, please visit Project Page: <http://www.foxdelta.com>