



Fox Delta

Amateur Radio Projects & Kits

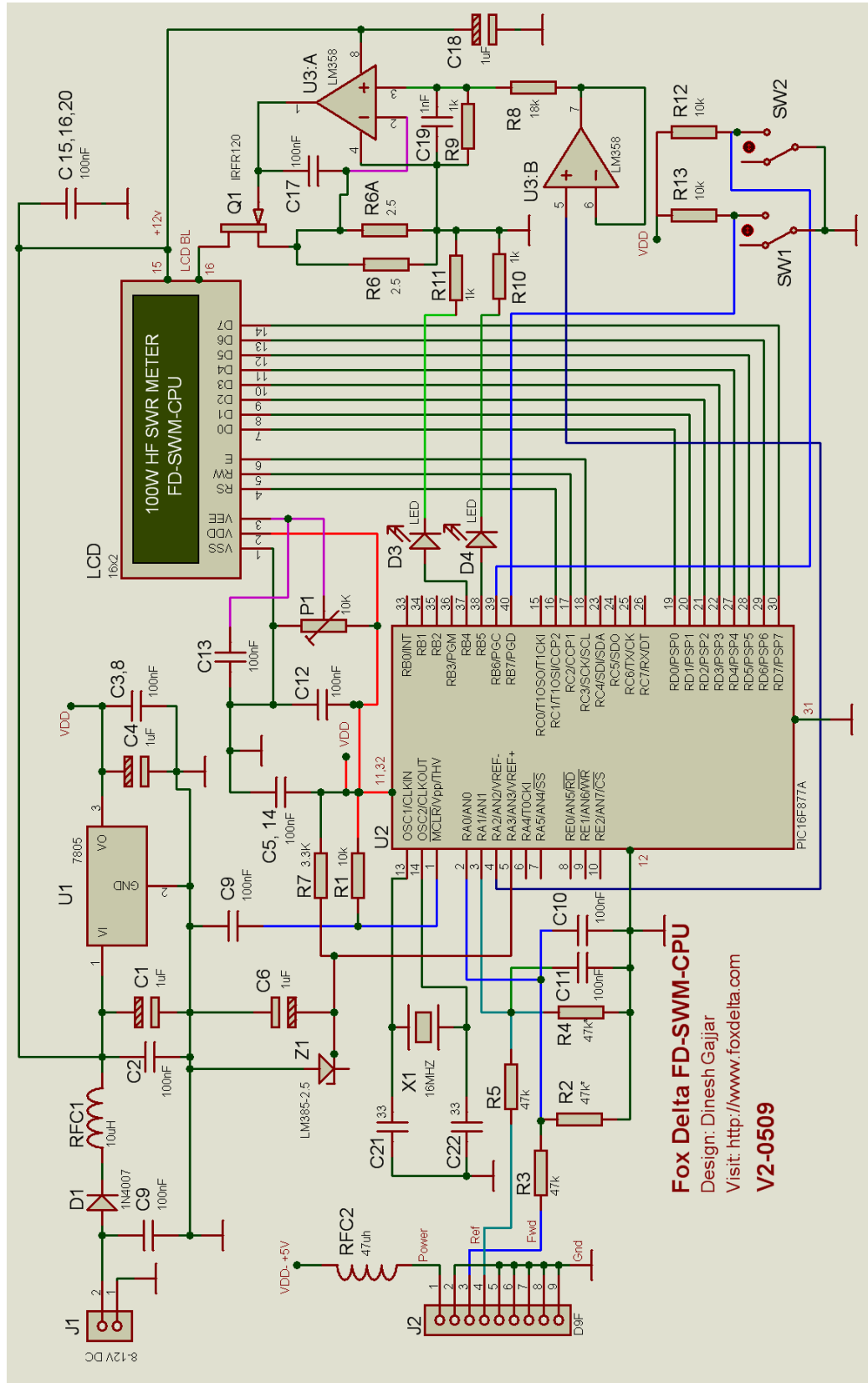
FD- SWM-CPU

Screen snap & Kit Parts List: Micro Controller LCD 100W SWR Meter CPU

SWR Meter Kit Parts List: CPU & Keyboard

Quantity	Check	Part Detail
1		PIC16F877A DIP (Programmed) U2
2		Push Buttons with FD-SWM-KB PTH PCB
3		LCD & KB Supports (Plastic Spacers with Nut & Bolts)
1		Double Sided PTH PCB "SWM-CPU RV2-0509"
1		7805 Regulator (U1)
1		IC Socket 40Pin (PIC16f877A)
1		IC Sockets 8Pin (LM358)
1		LCD 2x16 with BL
1		16pin male/female SIL headers for LCD
1		LM358 Dual Op.Amp. DIP8 (U3)
1		IRFR120 MOSFET (Q1)
1		Z1- LM385-2.5V
1		16.000 MHZ Crystal (X1)
1		DC Socket (J1)
1		D9Female R/A Connector (J2)
1		D9 cable 1M long
Parts		Capacitors, Resistors & Inductors
1		10uh RFC (RFC 1)
1		47uh RFC (RFC2)
5		1uf Tantalum (C1, 4, 6, 14, 18)
1		Header H1 – 6pin
1		3.3K (R7)
1		1N4007 (D1)
1		10K Bourns Preset (LCD BL) P1
11		0.1uf Ceramic (All capacitors not listed elsewhere)
1		0.001uf ceramic C19
2		2.2 ohms (R6, 6A)
2		33pf Ceramic (C21, 22)
1		1k (R9,10, 11)
1		18K (R8)
2		47K (R 3, 5)
2		15K (R2, 4)
1		10K (R1, 12, 13)
2		LED 3mm (Red, Green)

Schematic of SWM-CPU:



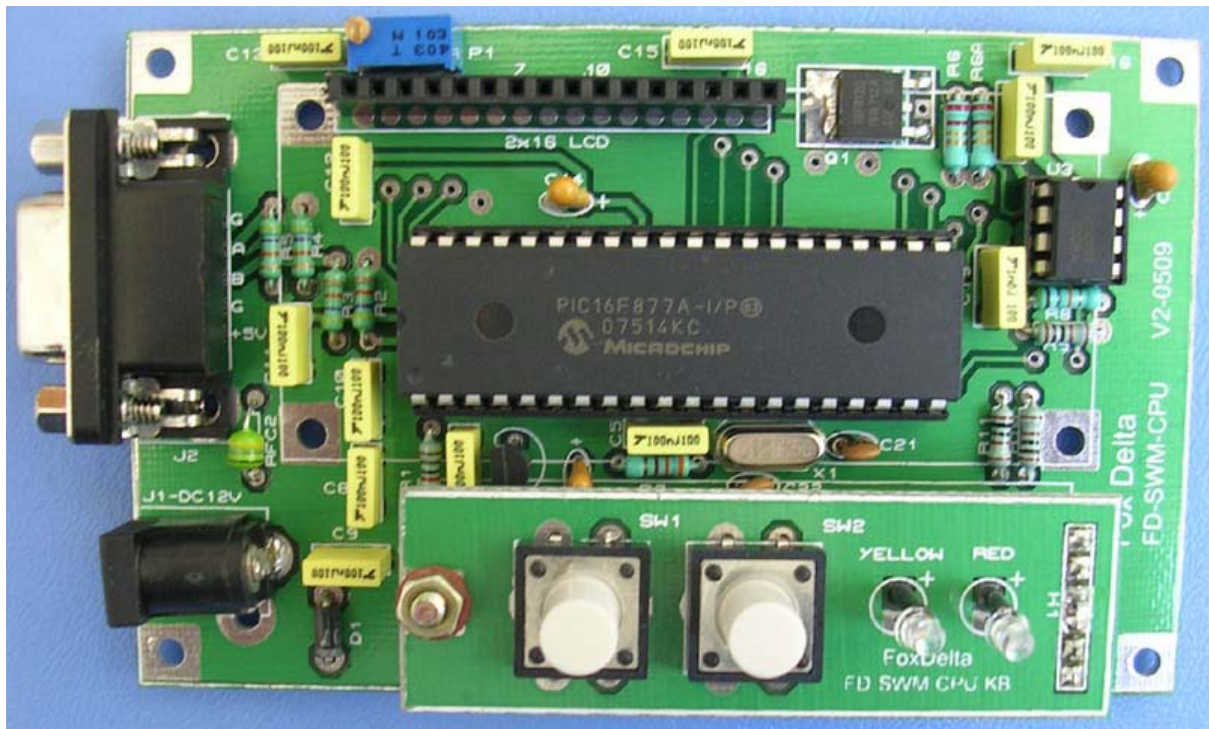
Fox Delta FD-SWM-CPU
 Design: Dinesh Gajjar
 Visit: <http://www.foxdelta.com>
V2-0509

R2 & R4 changed to 15K

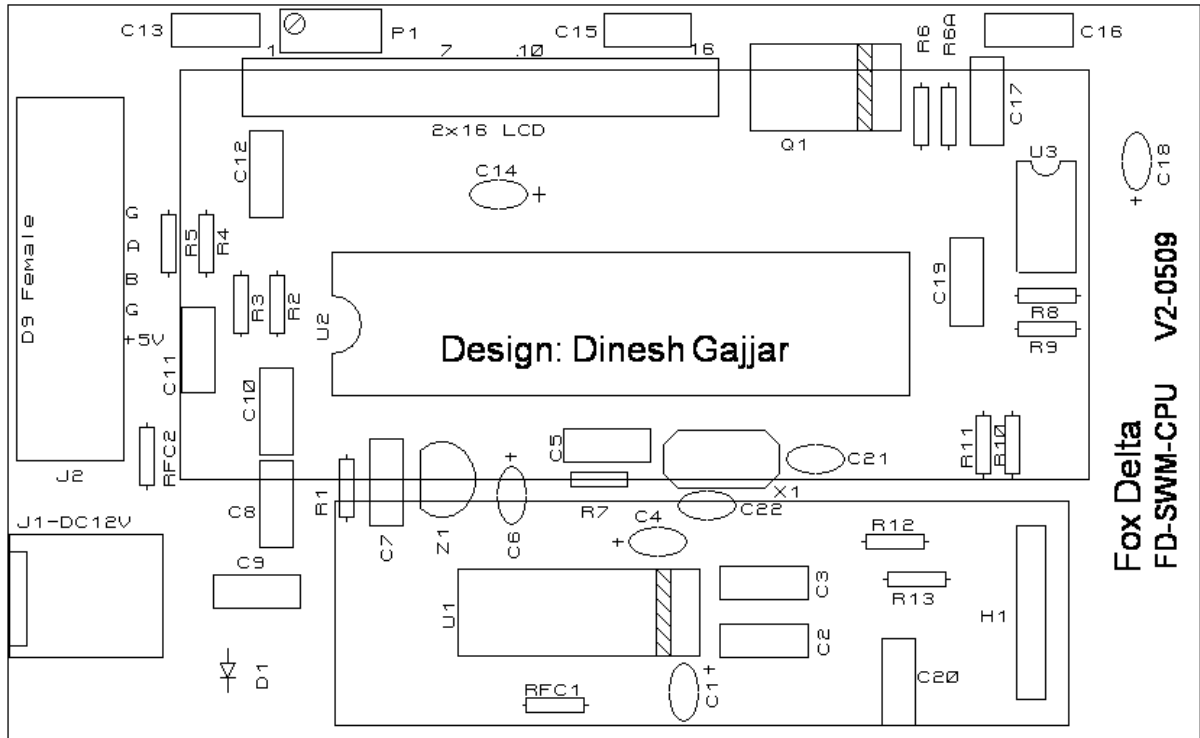
Completed CPU/LCD:



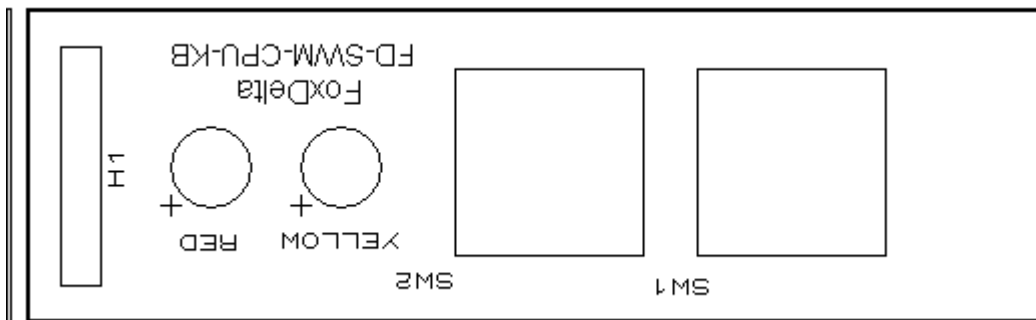
CPU Unit with LCD Removed:



Silk Snap of the SWM-CPU board:



Screen snap of the Keyboard:



Dinesh Gajjar
21st May 2009

For more details, please visit Project Page: <http://www.foxdelta.com>