



# Fox Delta

Amateur Radio Projects & Kits

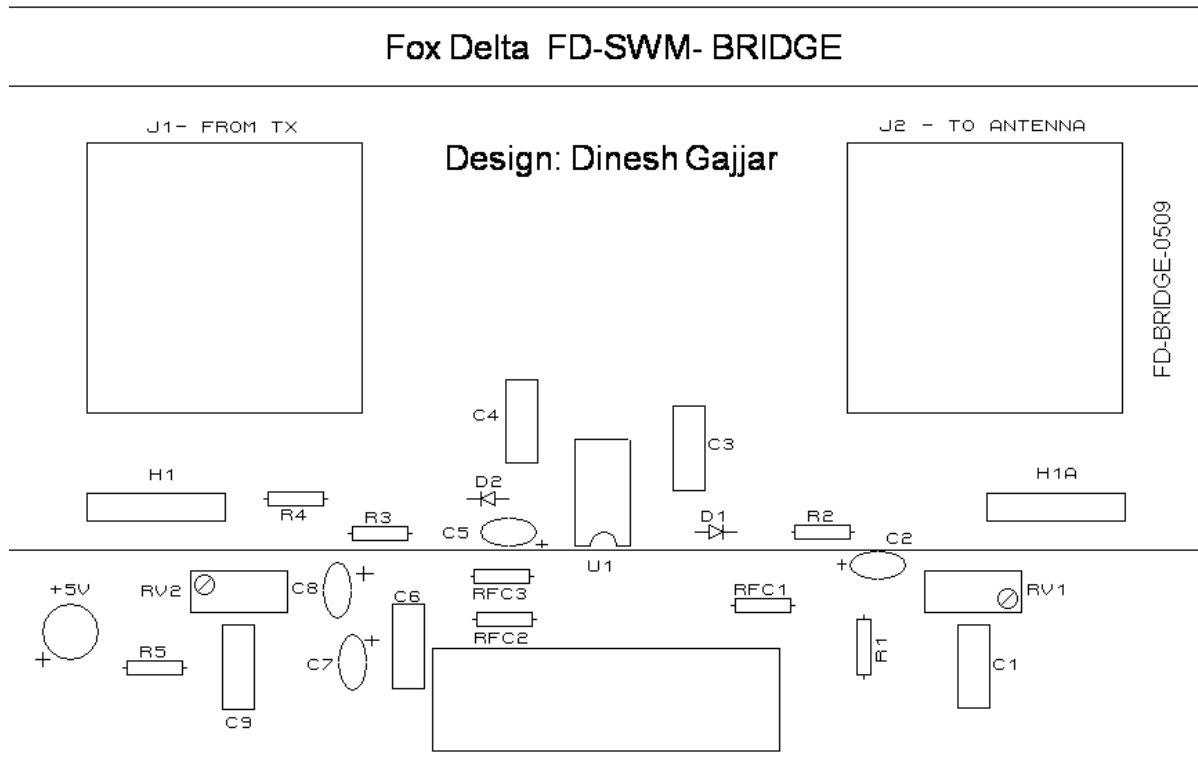
FD- SWM-HF BRIDGE

## Schematic & Parts List: Micro Controller LCD 100W SWR Meter HF Bridge

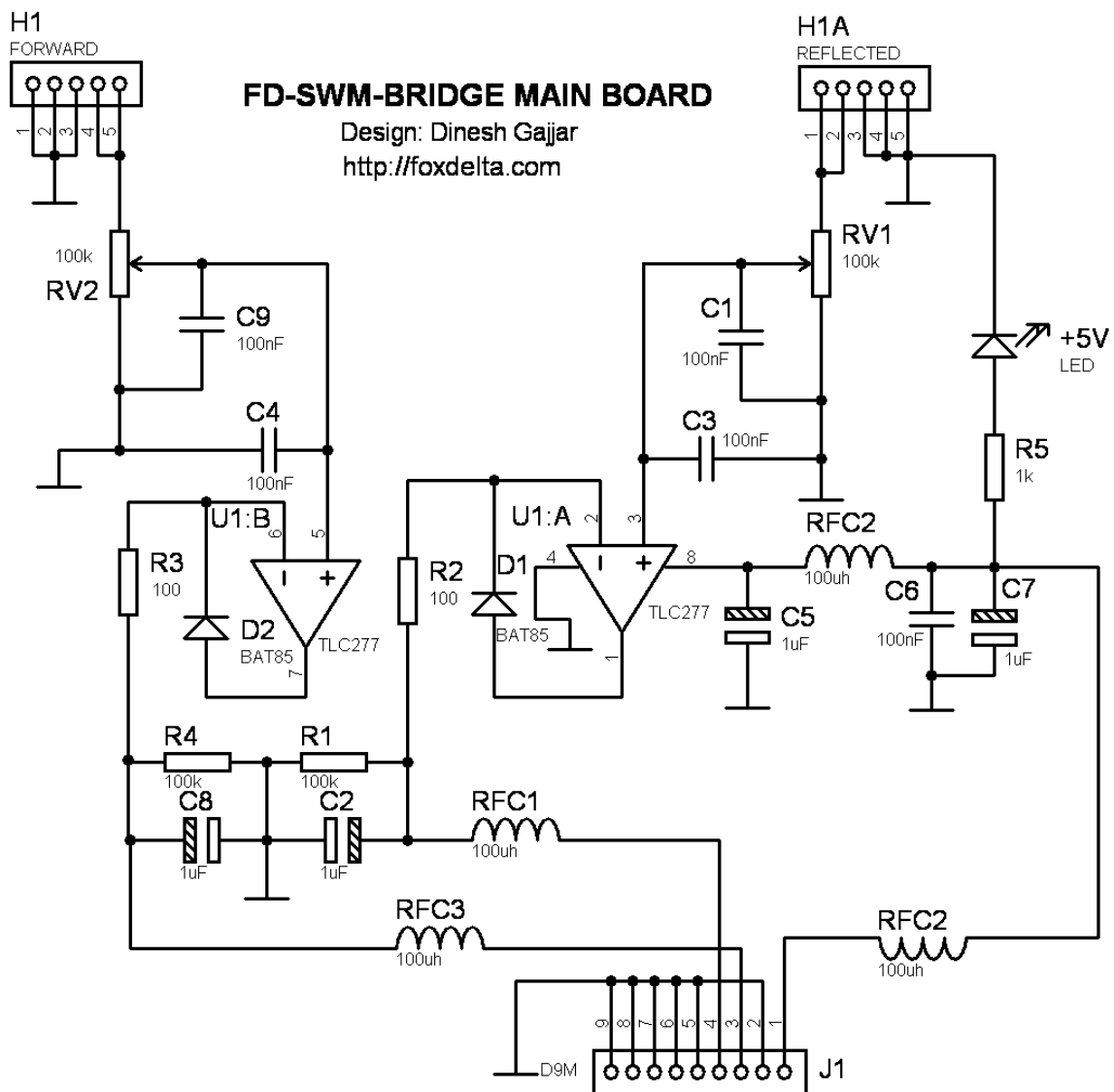
### SWM HF BRIDGE Main Board & PICK-UP Board Kit Parts List:

Quantity	Check	Part Detail
1		TLC277IP (U1)
2		100K Bourns 10T Preset
2		Male/Female 5PIN Header set (H1/H1A)
3		82 or 100uh RFC (RFC1/2/3)
1		3mmLED
4		1uf Tantalum capacitors (C5,7,8,2)
4		0.1uf Poly Capacitors (C9, 4, 1, 3)
1		D9M Connector
1		FD-SWM-Bridge Double Sided PTH PCB
2		SO239 Sockets with Nut & bolts/Spacers. (Option N)
1		8PIN IC Socket
1		1K 1/4 W (R5)
2		100 ohms 1/4 W (R2, 3)
2		100K 1/4 W (R1, 4)
2		BAT85 (D1, 2)

### Bridge Main Board SILK:



## Bridge Main Board Schematic:

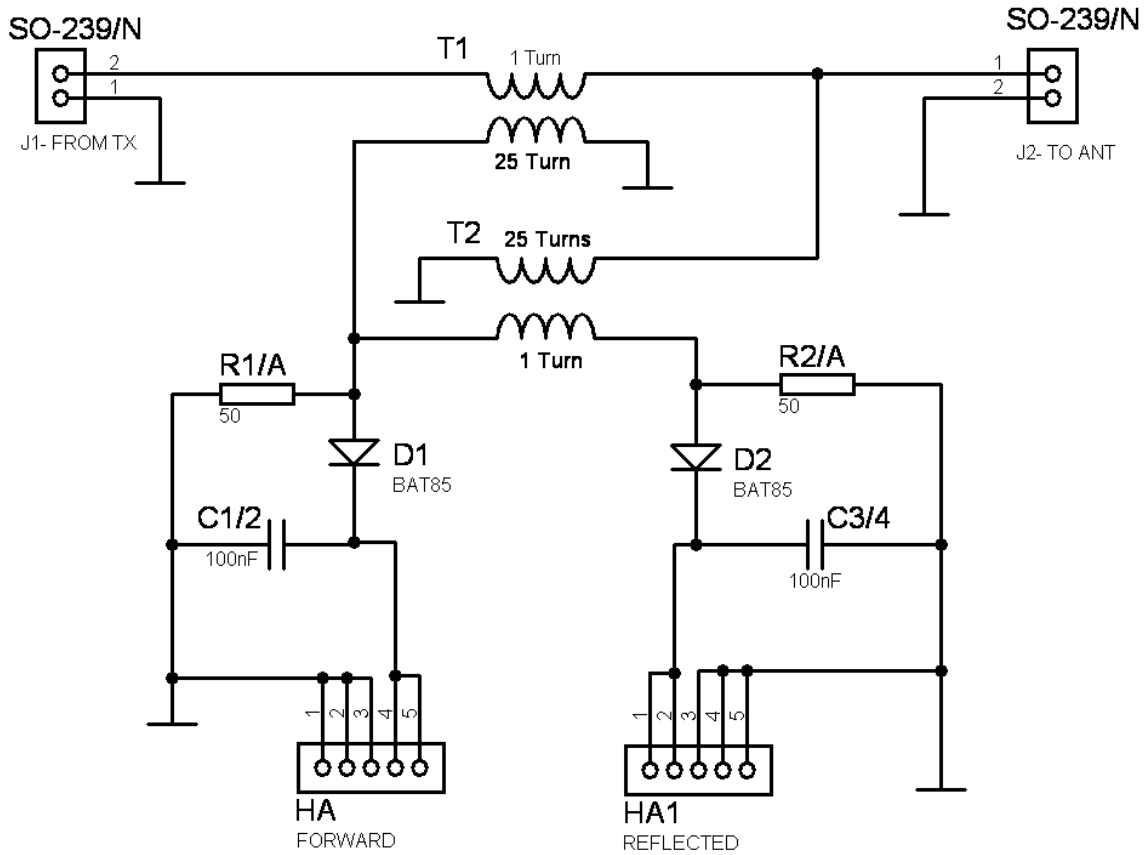


## SWM HF BRIDGE PICK-UP Board Kit Parts List:

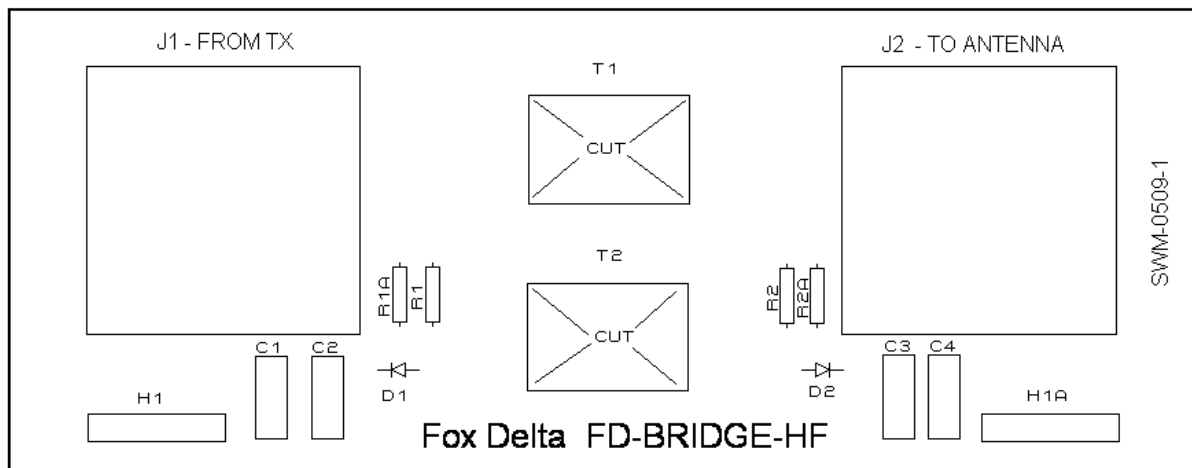
Quantity	Check	Part Detail
1		FD-BRIDGE-HF Double Side PTH Board
2		Toroidal Tube Core #43
2		BAT85 Diodes (D1,2)
4		100 ohms Resistors 1/4W (R1. R1A, R2. R2A)
4		0.1uf Poly Capacitors (C1, 2, 3, 4)
1Mtr		Copper Wire #28

## SWM HF BRIDGE PICK-UP Board Schematic:

Fox Delta HF-BRIDGE Design: Dinesh Gajjar <http://www.foxdelta.com>



## HF Bridge Pick-up Silk:



Dinesh Gajjar  
22<sup>nd</sup> June 2009

For more details, please visit Project Page: <http://www.foxdelta.com>