



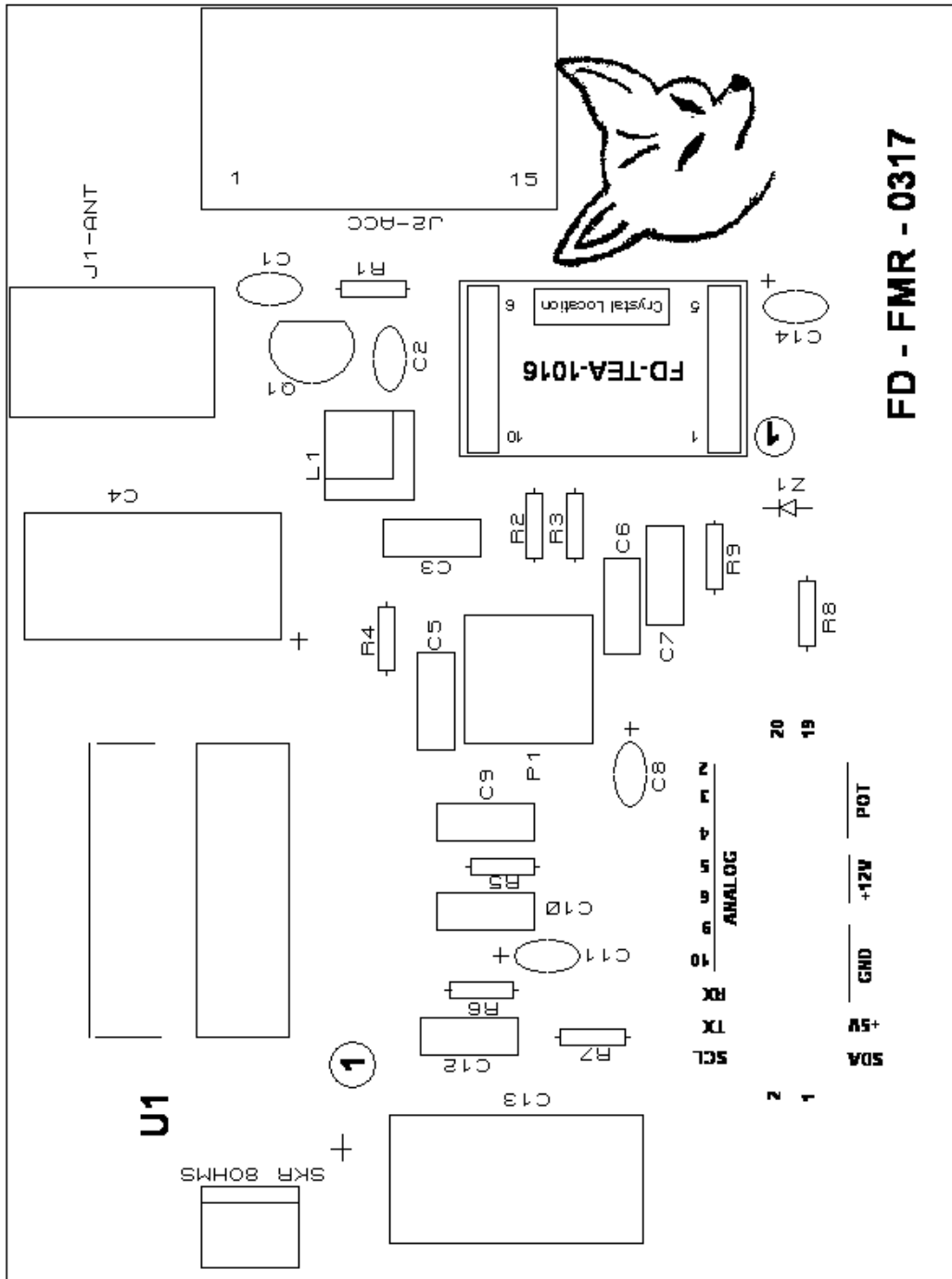
Fox Delta

Amateur Radio Projects & Kits

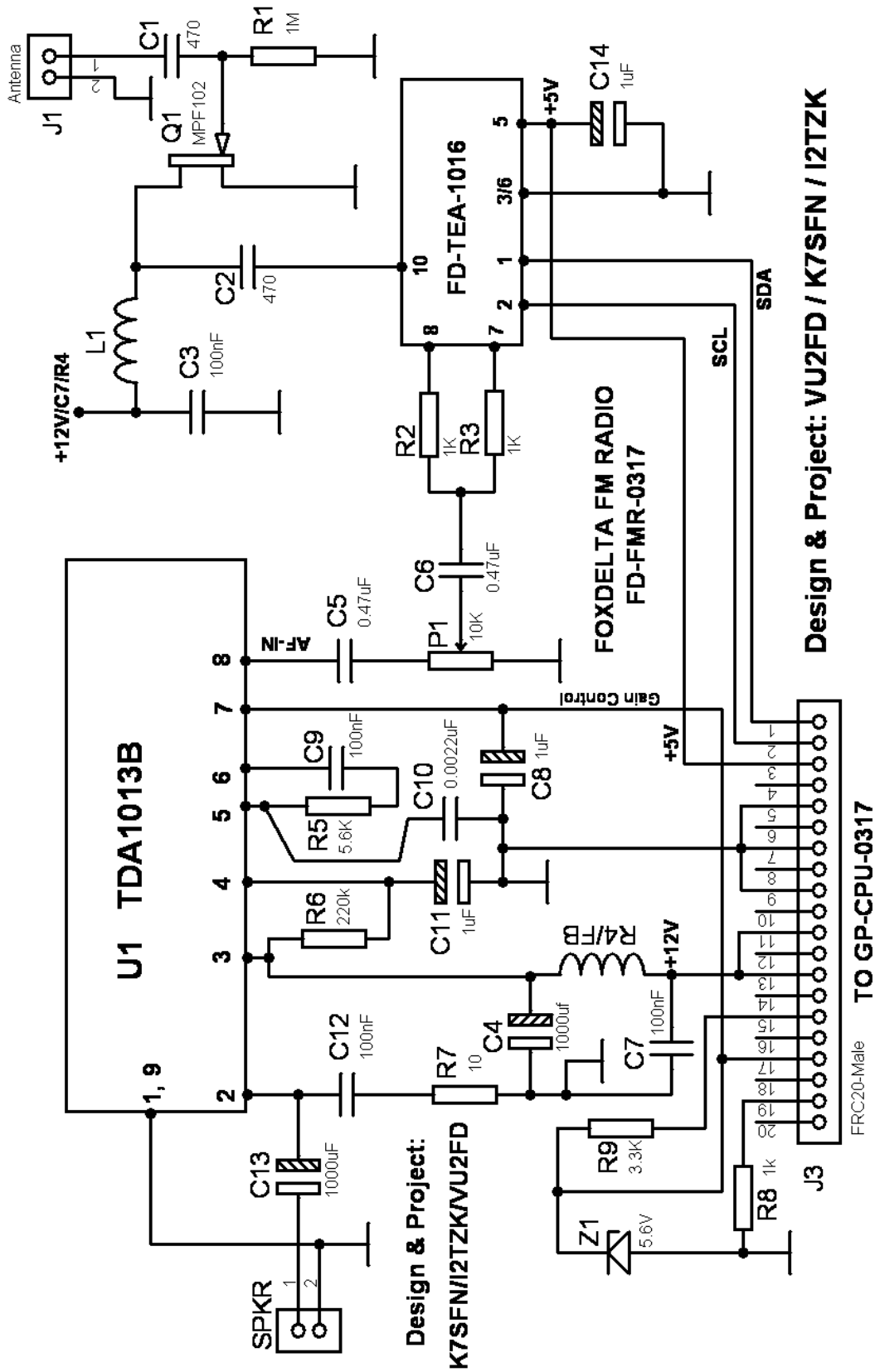
FD- FM RADIO-0317

Schematic & Parts list: PIC18F25K22 FM RADIO with PHILIPS TEA5767

FM RADIO: FD-FMR-0317



FMR-0317 Schematic:



Design & Project: VU2FD / K7SFN / I2TZK

FRC20-Male TO GP-CPU-0317

FMR-0317 Parts List:

Quantity	Part ID	Part Details
1	TEA-1016**	FMRADIO TEA5767 Module Pre-Soldered with matching headers
1	L1	5Turn Inductor with Core
1	Q1	MPF102 TO92
1	U1*	TDA1013B
1	J2***	FRC16 R/A PCB Connector.
1	J1	RCA Female Connector for Antenna + Male
1	J3	FRC20 Male
1	Z1	Zener Diode 5.6V
1	P1	10K Preset Bourns 3386
1	SPKR	Speaker + 2PIN Male/Female Connector
Capacitors:		
2	C13, C4	1000uF Electro
3	C14, 8, 11	1uF Tantalum
2	C5, C6	0.47uF Poly
4	C3, C9, C7, C12	0.1uF Poly
1	C10	0.0022uF Poly
2	C1, C2	470pf Ceramic
Resistors:		
1	R1	1M Ohms
1	R7	10 Ohms
1	R6	220K
1	R9	3.3K
3	R8, 2, 3	1K
1	R5	5.6K
1	R4/FB	2.2 Ohms

*U1 is Standard Component but mounted as an SMT Part. It is supplied pre-soldered with kits.

** TEA5767 Module is Pre-Soldered and Supplied fully tested.

*** J2 is not used. It is included with kits only to fill up the metal case cutting window

Note:

FD-FMR-0317 requires GP-CPU-0317 board for Digital/LCD Contrl.
FM Radio kits includes Both, FMR-0317 and GP-CPU-0317 boards.

73s / Dinesh Gajjar
1st July 2017

For more details, please visit Project Page: <http://www.foxdelta.com>