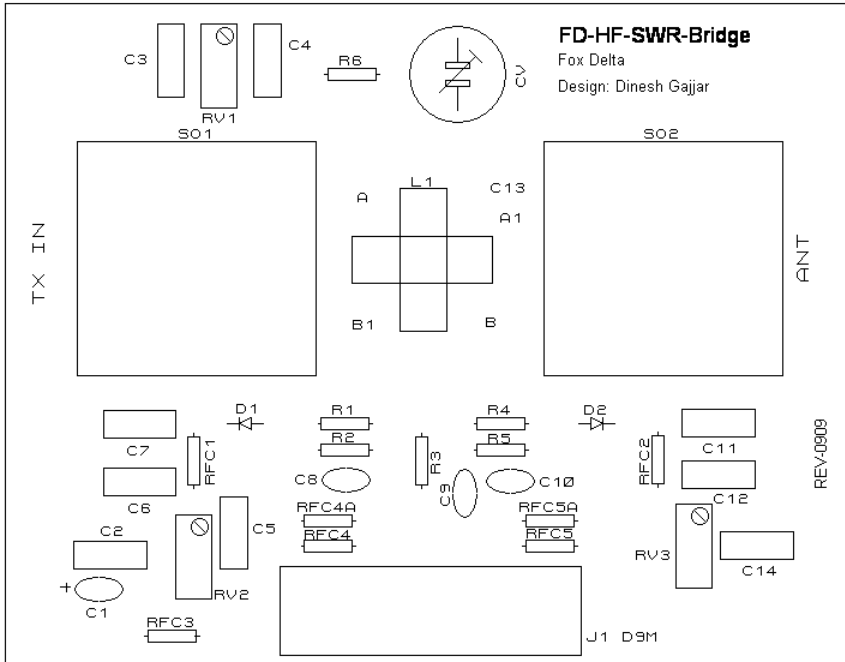


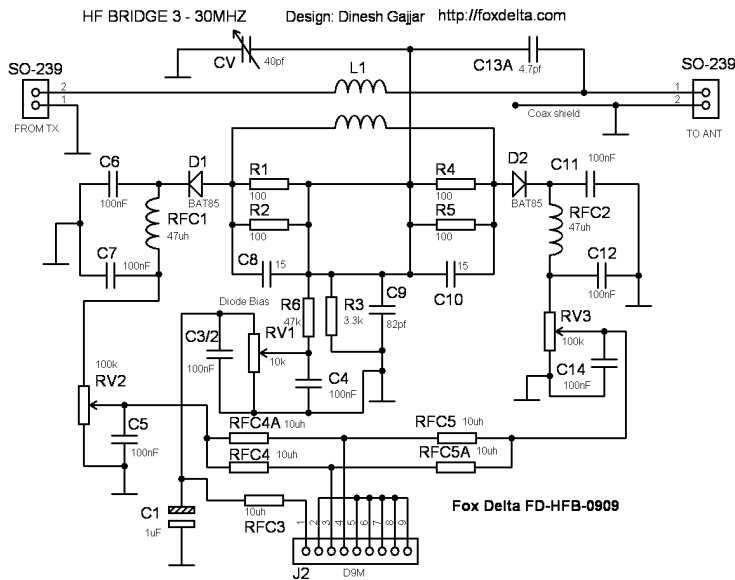


Schematic & Parts list: HF Simple Bridge for Dual Channel LCD SWR Meter

Silk:



Schematic of the HF Simple Bridge:



HF Simple Bridge Parts List:

Quantity	Part ID	Part Details
1	PCB	Double Sided HFB-0909 PCB
1	J2	D9M Connector R/A
3	RFC3, 4, 5	10 to 33uh RFC
2	RFC1, 2	33uH to 47uh RFC
2	D1, 2	BAT85
1	L1	FT-50-43 or Tubular #43 + #28 Wire
2	RV3, 2	100K Preset 10Turn Bourns
1	RV1	10K Preset 10Turn Bourns
1	CV	20pf air variable
2	RF Connectors	SO239 Chassis type
1	C13A	4.7pf 500V
1	7cm long	Mini-coax 50 ohms Teflon
4	R1, 2, 4, 5	100 ohms ¼ W
1	R3	3.3K ¼ W
1	R6	47K ¼ W
2	C8, 10	15pf Ceramic
1	C9	82pf Ceramic
1	C1	1uf Tantalum 35V
9	C4, 5, 6, 7, 2, 3, 11, 12, 14	0.1uf Ploy
1	Set	Nut, bolts & lug for SO239 connector
1	Cable	D9F to D9F shielded cable

73s

Dinesh Gajjar

12th May 2010

For more details, please visit Project Page: <http://www.foxdelta.com>