



# Fox Delta

Amateur Radio Projects & Kits

FD- AAZ-0612

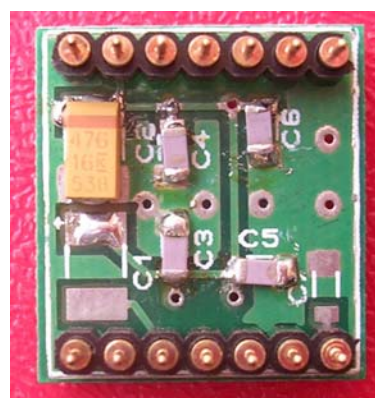
**Schematic & Parts list: HF 35MHZ PIC18F2550/2553 USB Antenna Analyzer**

**AAZ-Partial Kit: Without AD9851**

**Completed HF 35MHZ Antenna Analyzer:**



**DDS Assembly:**



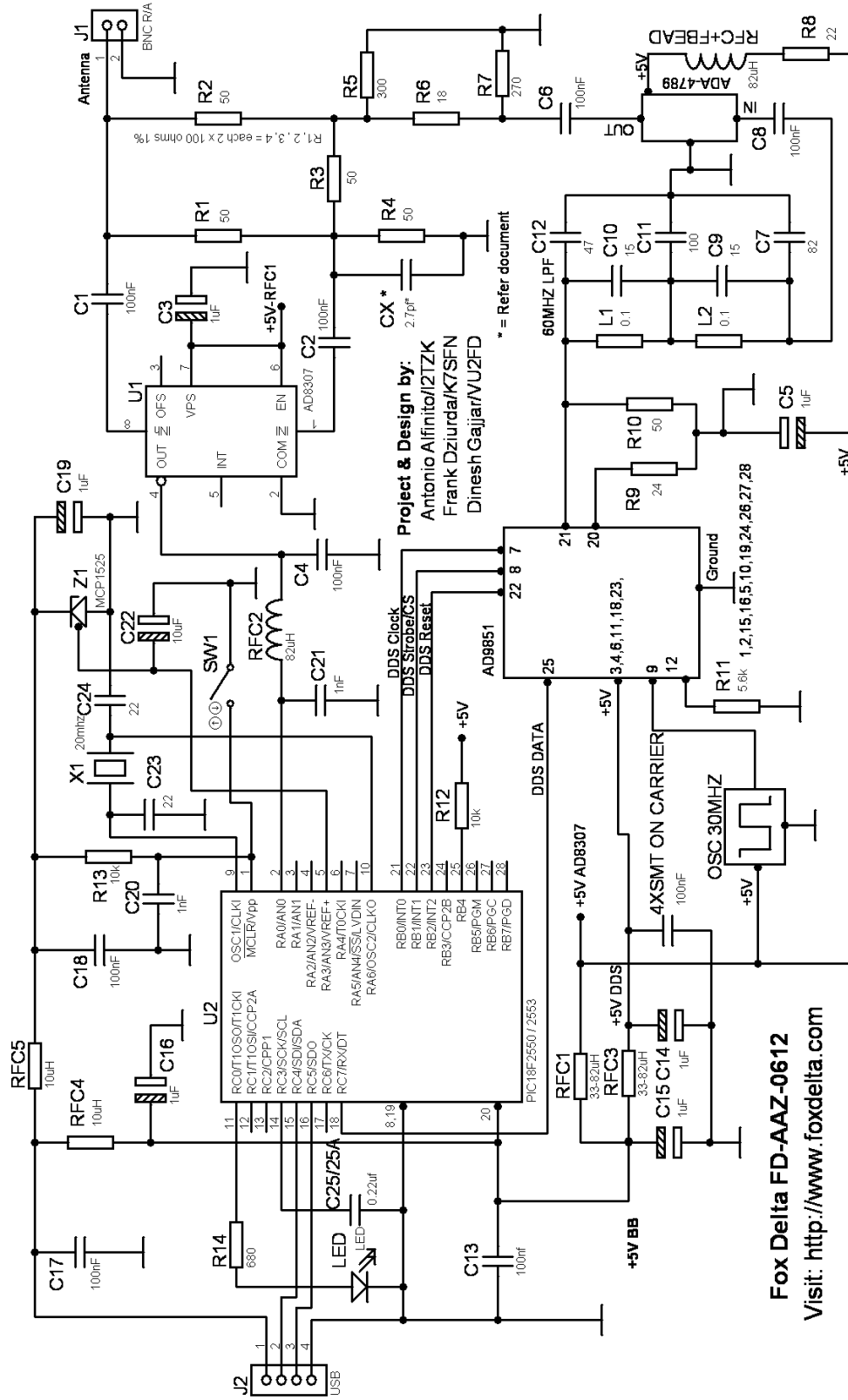
Kit is supplied without AD9851. A set of: Carrier PCB, male/Female headers, 4 X SMT 0.1uf 1206 capacitors and 1 X 22uF/15V Tantalum capacitor are included. You will buy AD9851 and solder it on carrier board and solder SMT capacitors.

### AAZ-0612 KIT Parts List:

Quantity	Part ID	Part Details
1	U2	PIC18F2550 Pre-Programmed
1	SSOP28***	Adapter PCB with SMT Caps.
1	U1#	AD8307SO8 on DIP Adaptor
1	OSC	30MHZ Oscillator (FULL)
1	X1	20MHZ Crystal HC49
1	SW1	Push Switch R/A
1	LED	3mm LED
1	Q1	ADA-4789
1	IC Socket	8PIN DIP
1	IC Socket	28PIN DIP
1	PCB	FD-AAZ-0612 DSPTH PCB
1	Z1	MCP1525-2.5V
2	RFC4, 5	10uH
3	RFC1, 2, 3	33-82uH
2	L1, 2	LPF Inductor RFCs
1	RFC+Bead	82uH RFC+ Ferrite Bead
4	Beads	Ferrite Beads
1	J2	USB Socket R/A PCB
1	J1	BNC R/A PCB
1	Case	Includes a free metal case
All Resistors ¼ W 5%		
1	R5	300 Ohms
1	R6	18 Ohms
1	R7	270 Ohms
8	R1/A, R2/A, R3/A, R4/A	100 Ohms
1	R8	22 Ohms
1	R9	24 Ohms
1	R10	50 Ohms
2	R12, 13	10K
1	R14	680 Ohms
1	R11	5.6K
Capacitors		
2	C25/25A	0.22uf Poly
2	CC21, 20	.001uf Poly
8	C1, 2, 4, 6, 8, 13, 17, 18	.1uf Poly
6	C3, 5, 14,15, 16, 19	1uf Tantalum
2	C24, 23	22pf Ceramic
1	C22	10uF Tantalum
1	C7,	82pf Ceramic
2	C10, 9	15pf Ceramic
1	C12	47pf Ceramic
1	C11	100pf Ceramic

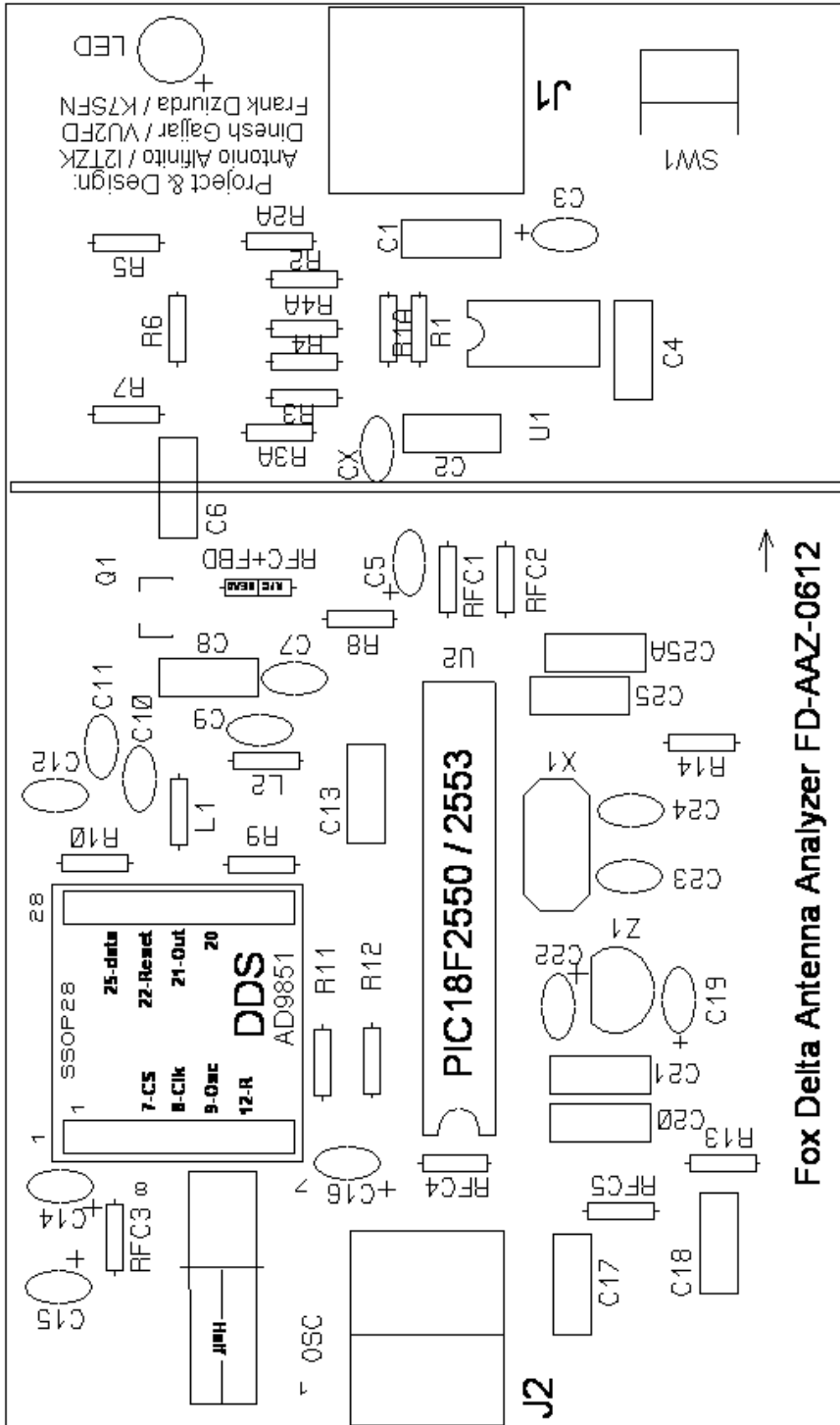
- \*\*\* = SSOP Adapter PCB and SMT components are Included. AD9851 is not supplied with this kit or assembled
- # = AD8307 DIP8 is made out of an adapter and SO8 AD8307.

**AAZ-0612 Schematic:**



**Fox Delta FD-AAZ-0612**  
 Visit: <http://www.foxdelta.com>

**AAZ-0612 COMPONENT SIDE SILK:**



73s

**Dinesh Gajjar**

10<sup>th</sup> February 2013

For more details, please visit Project Page: <http://www.foxdelta.com>