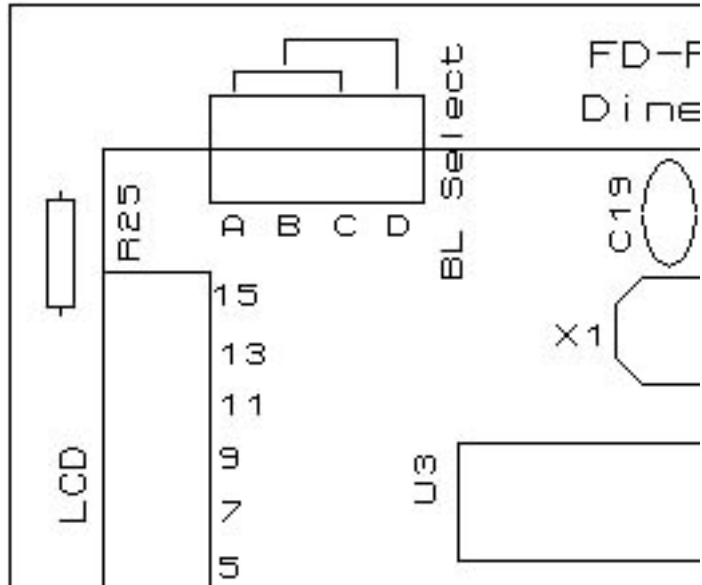




2x20 LCD Backlight Header Selection

To accommodate two basic types of LCD display available in market, I have provided a Back-Light Selection Header which is Labeled on silk as "BL Select"



PM2A PCB Top View

This is basically nothing but reversing DC supply to back light of the LCD (Pins 15 & 16). If you do not know which type of display is supplied to you, just install shorting pins at:

A & C.

If you do not see Back Light with above situation, remove shorting pins and place them at:

B & D

There is nothing much to this. However, ensure that you have R25 installed and supply is connected!!

Thanks & Regards

Dinesh Gajjar
15th Oct 07

For more details, please visit Project Page: <http://www.foxdelta.com>