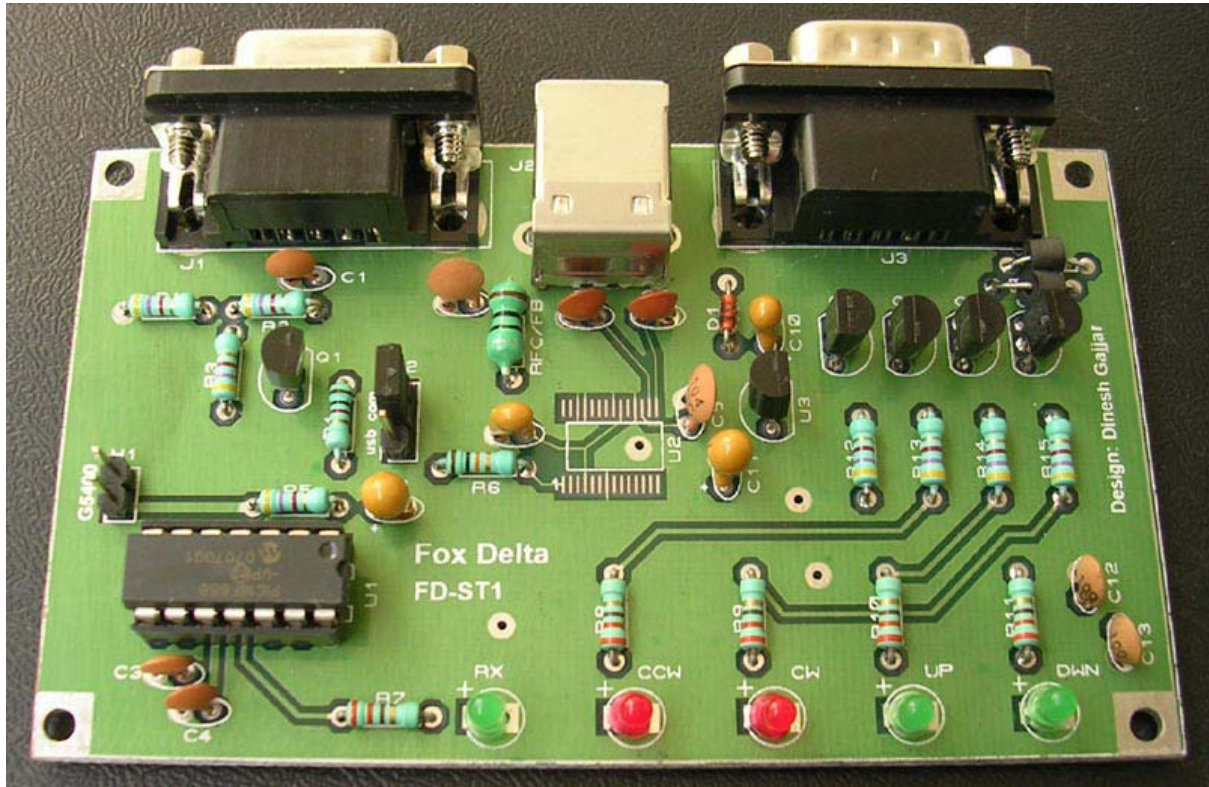




## Schematic & Parts List: PIC16F688 Satellite Tracker & Rotor Controller

### ST1 Satellite Antenna Tracking Interface:

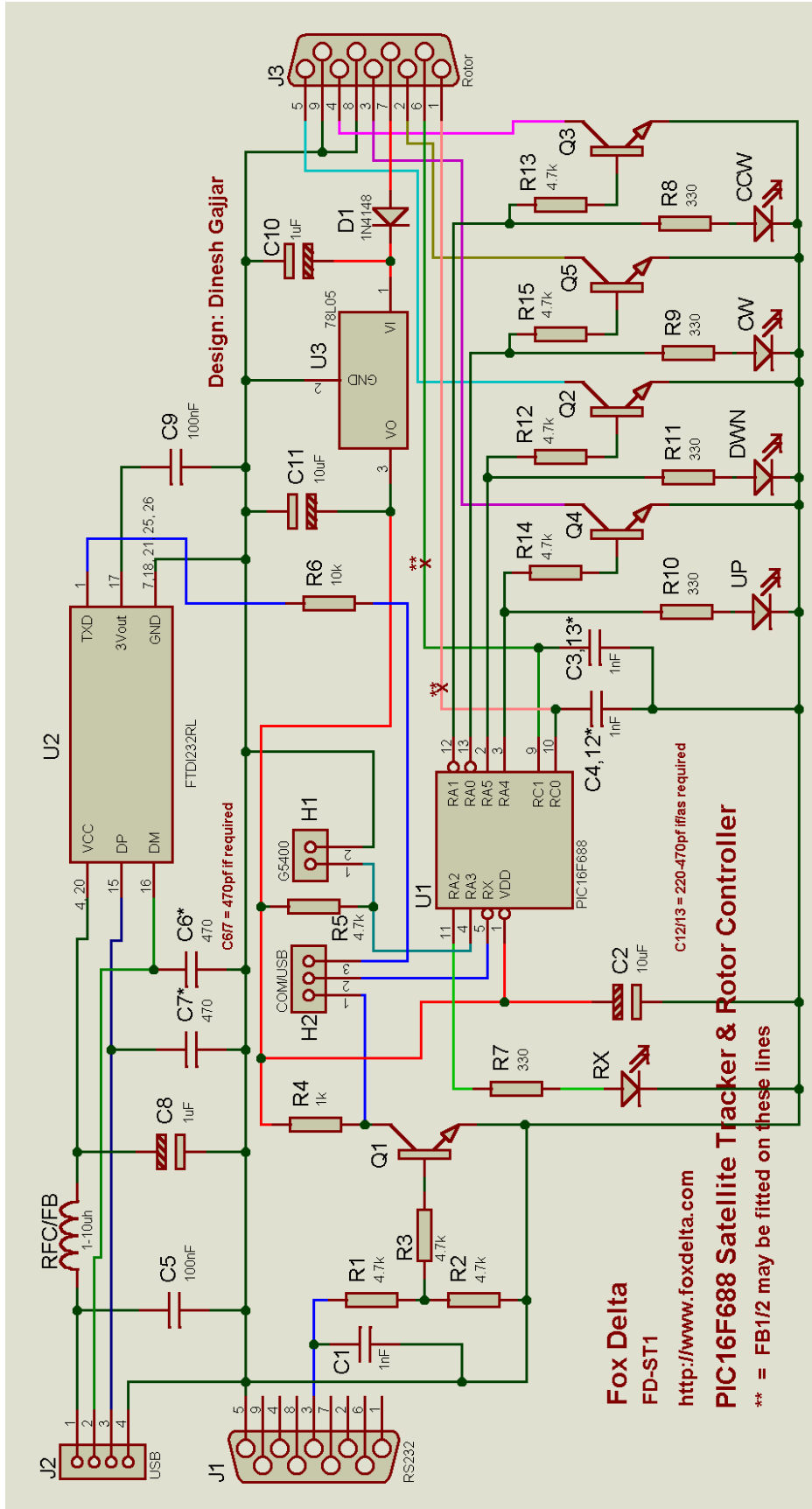


### ST1 Kit Parts List:

8	R1, 2, 3, 5, 12,13,14,15	4.7k	1	PIC16F688 with Firmware: U1
1	R4	1k	5	BC547B Transistors (Q1 to Q5)
5	R7-11	330	1	1N4148 Diode (D1)
1	R6	10k	1	14pin IC Socket for U1
5	C1, 3, 4, 12, 13	1000pf Poly	1*	USB B Type PCB Connector
2*	C6*, 7*,	470pf Cer.	5	3mm LEDs
1*	C5*	0.1uf Cer.	1	78L05 (U3)
2	C11, 2	10uf Tan	1*	FTDI- FT232RL 28 SOIC (U2)
1	C10	1uf Tan	1	D9-F-RA
			1	D9-M-RA
1*	RFC/FB*	10uh RFC	2+2	3 & 2 Pin Headers + Shorting Pins
1	D9F Connector	For Rotor Connection	1	DIN8 Male (Plug) For Rotor Controller Connection

\*= Parts for USB version only

## Schematic of the ST1: Satellite Tracker & Rotor Controller:



Dinesh Gajjar / 8<sup>th</sup> August 2008

For more details, please visit Project Page: <http://www.foxdelta.com>