



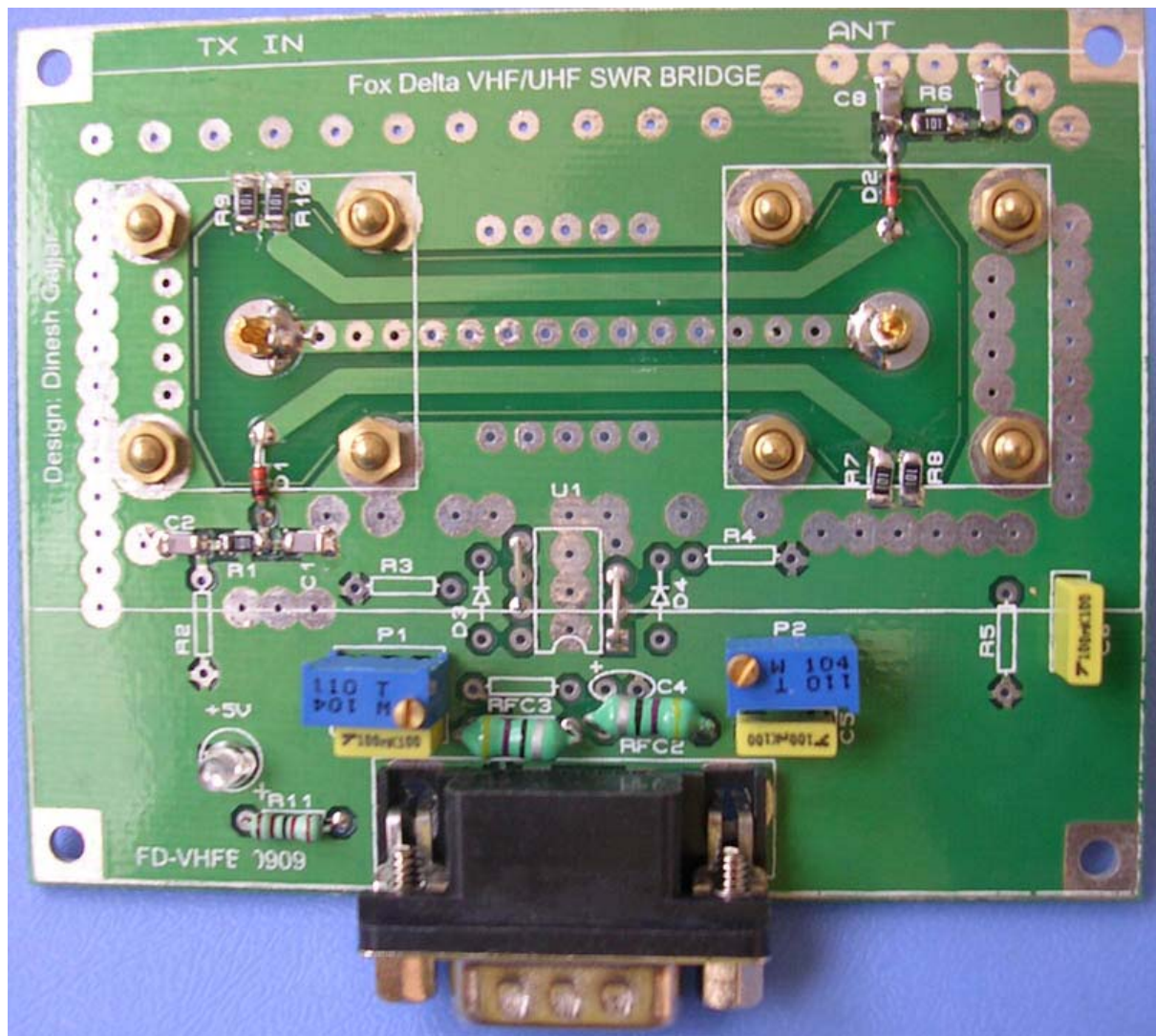
Fox Delta

Amateur Radio Projects & Kits

FD- SWM2

Schematic & Parts list: 144MHZ 100W Bridge for SWM2 Dual Channel LCD SWR Meter

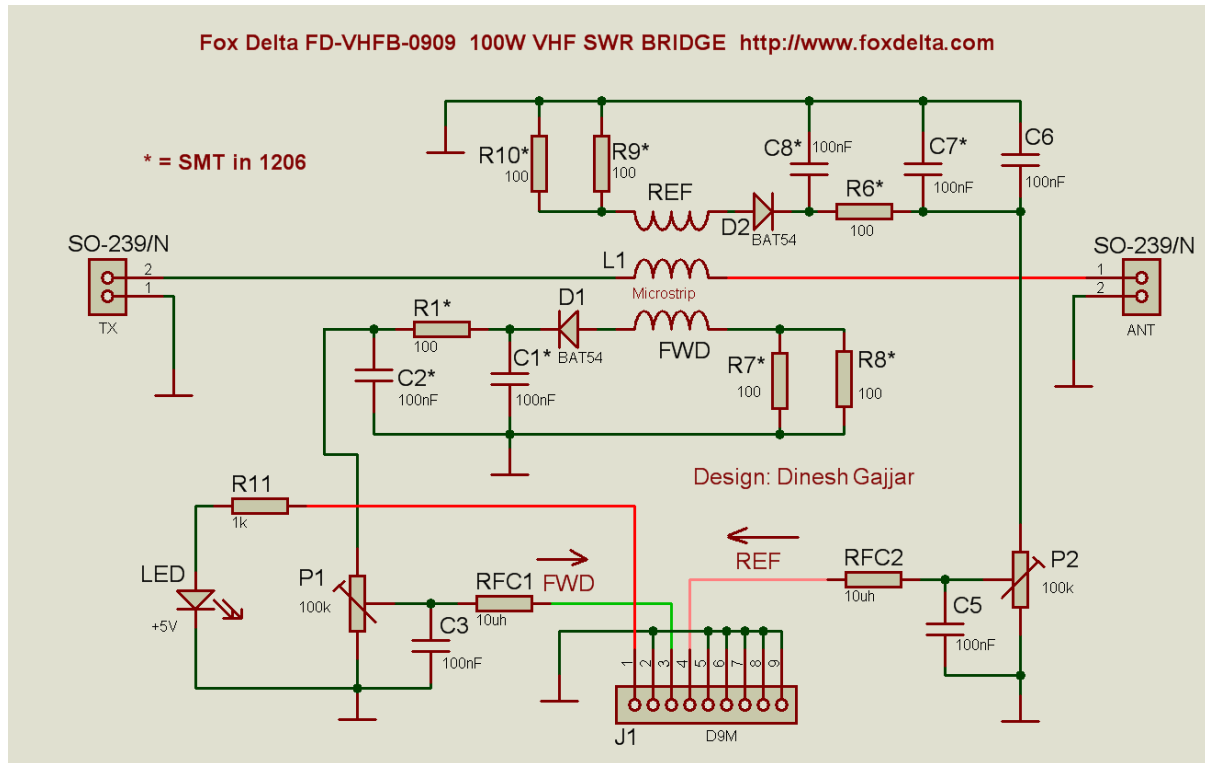
144MHZ / VHF 100W Bridge for Dual Channel SWR/POWER Meter:



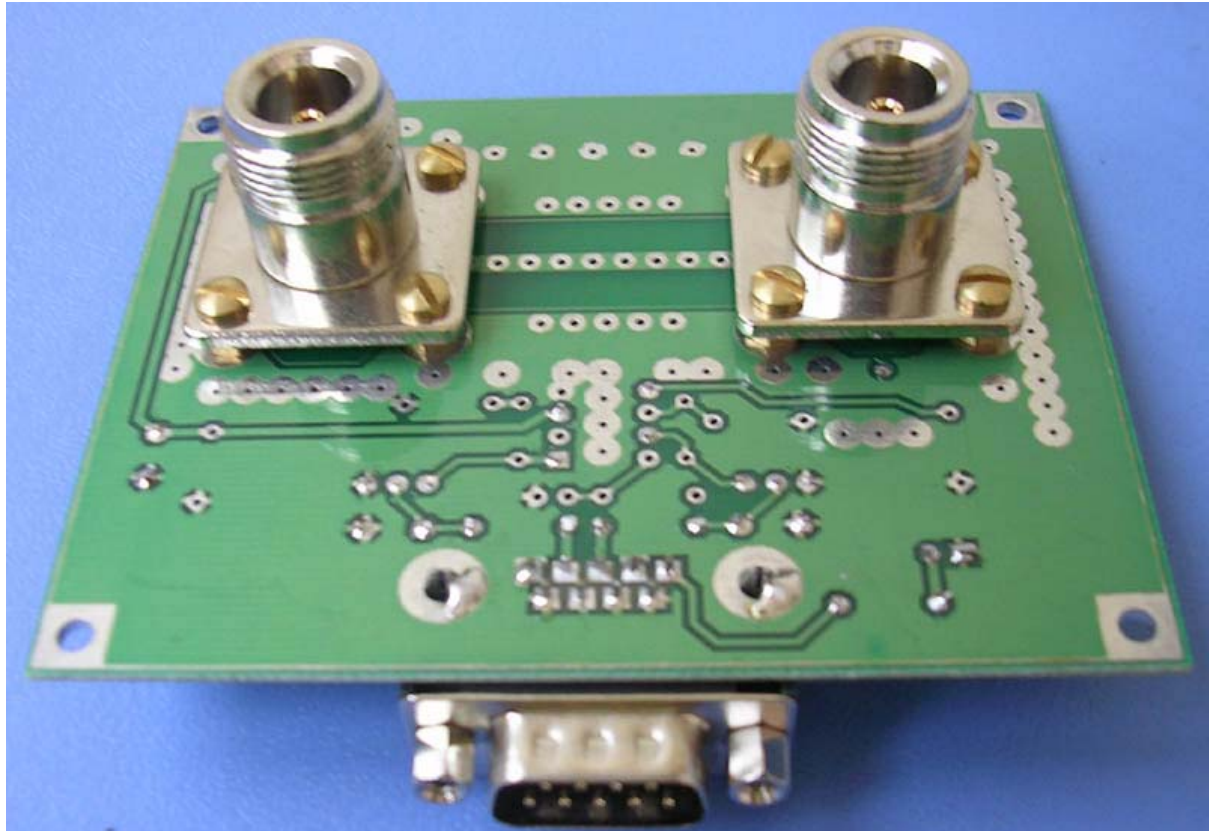
Note:

1. U1, D3, D4, R2, R3, R4, R5, RFC3 & C4– Not used and not part of kit.
2. SMT parts are supplied pre-soldered for Kits
3. Type “N” connectors standard. SO239 on request.

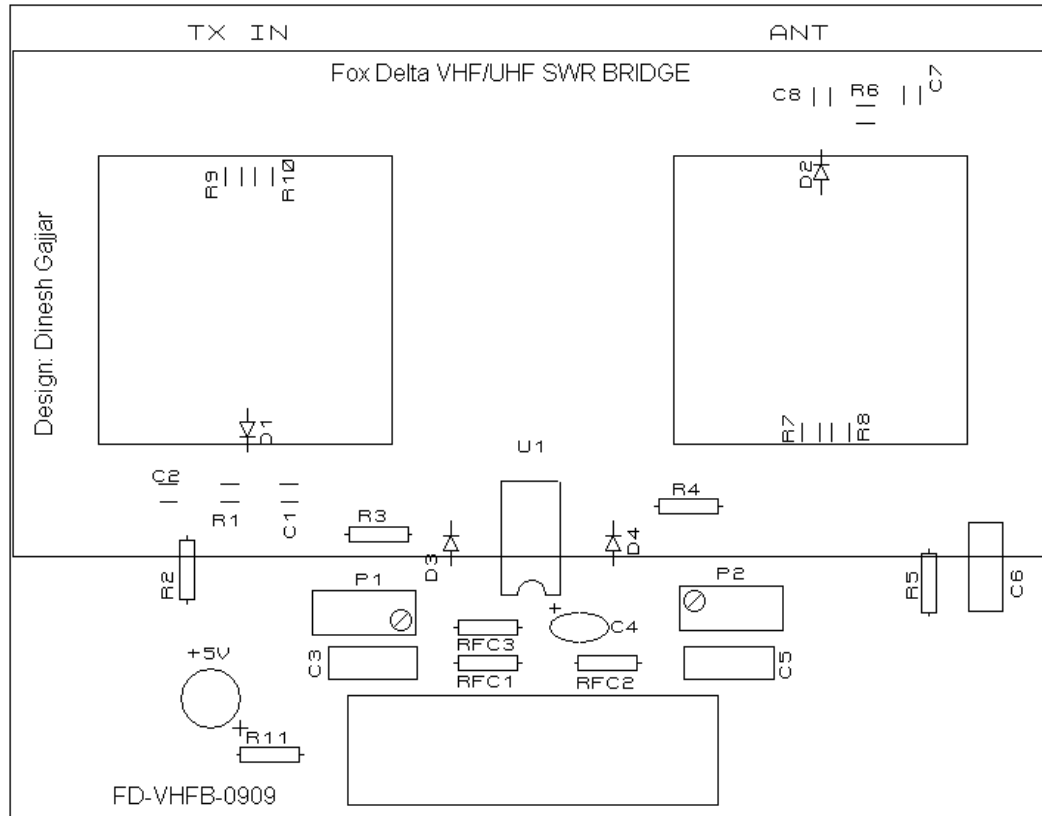
VHF Bridge Schematic:



Connector Side View:



VHF Bridge Silk:



Bridge Parts List:

Quantity	Part ID	Part Details
2	Type N / SO239	RF Connectors
2	D1, D2	BAT85
1	D9M	R/A PCB Mounted D9 Connector- Male
6*	R1, 6, 7, 8, 9, 10	100 ohms SMT 1206
4*	C1, 2, 7, 8,	0.1uf SMT 1206
3	C3, 5, 6	0.1uf Ploy
2	RFC1, 2	10uh RFC
1	R11	1K 1/4W Resistor
1	LED	+5V indicator
2	Jumpers	Pre-soldered on PCB at U1 Pins
1	PCB	Double Sided PTH board VHFB-0909.
16, 8	Hardware	16 Nuts and 8 bolts for connector
2	Presets	100K P1 & P2
1	Cable	D9F to D9F shielded cable

*SMT parts are pre-soldered on PCB.

73s

Dinesh Gajjar

12th May 2010

For more details, please visit Project Page: <http://www.foxdelta.com>