



Fox Delta

Amateur Radio Projects & Kits

VixenTrak

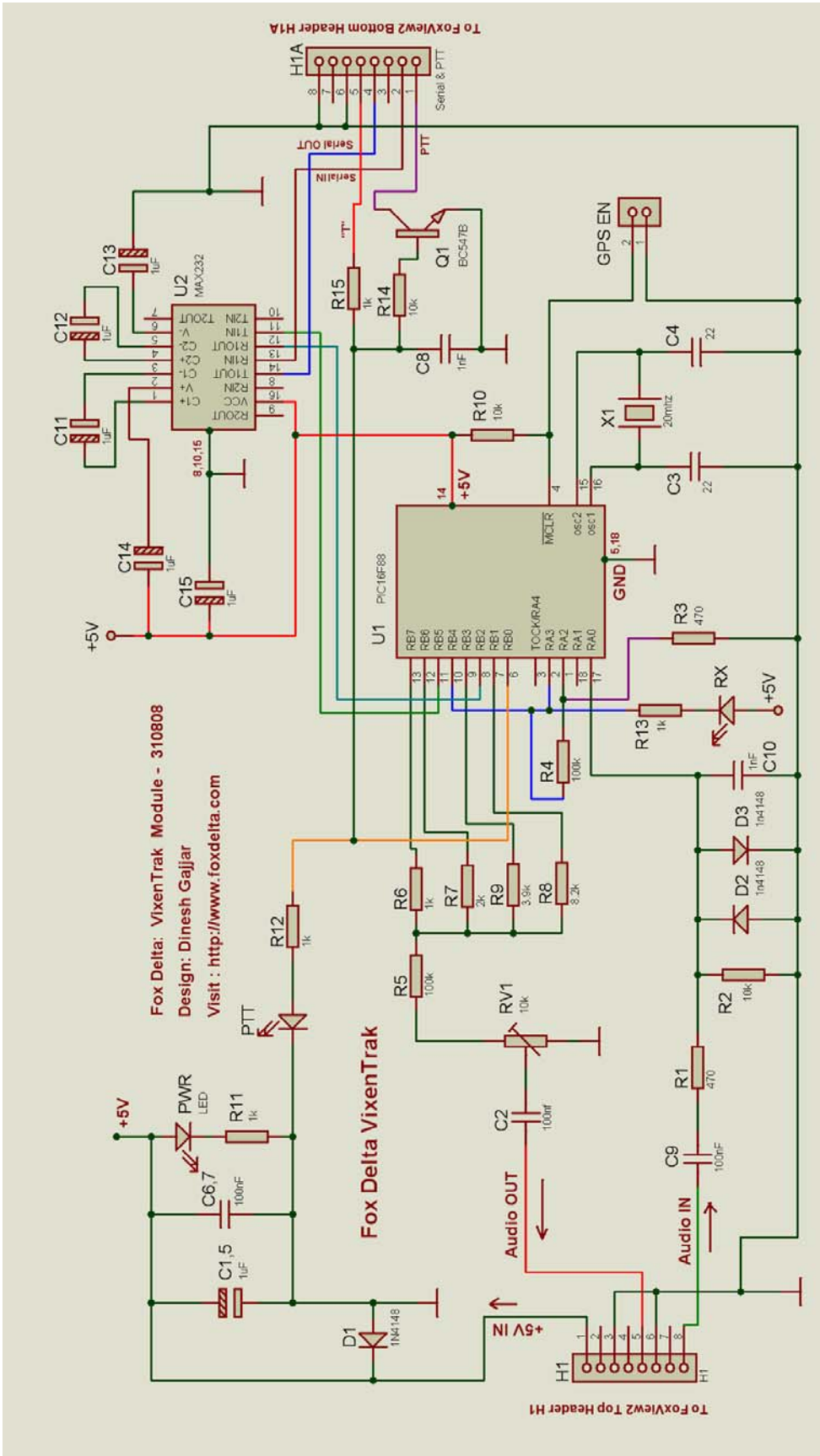
[Schematic & Parts List: VixenTrak An APRS GPS-less Tracker Module for FoxView2](#)

VixenTrak APRS Tracker Module Kit Parts List:

Qty	ID	Details
1	U1	PIC16F88, Pre-Programmed With Firmware
1	U2	MAX232 or Equiv. RS232 Driver
1	PCB	VixenTrak Double Sided PTH Board
1	Q1	BC547B, PTT Switch
1	GPS-En	2pin Header with Shorting pin
3	LED	3mm: RX, TX & Power
1	X1	Crystal 20MHZ HC49US
1	RV1	Preset Bourns 10K
3	D1, 2, 3	1N4148
1	DIP18	IC Socket for U1
1	DIP16	IC Socket for U2
1set	0.1inch headers	8 Pin Male & Female Headers for Module Connections

Qty	ID	Details
7	C1, 5, 11, 12, 13, 14, 15	1uf 35V Tantalum
4	C2, 6, 7, 9	100nf Poly
2	C10, 8	1nf Poly
2	C3, 4	22pf Ceramic
15		
2	R1, 3	470 ohms
3	R2, 10, 14	10K
2	R4, 5	100K
5	R6, 11, 12, 13, 15	1K
1	R7	2K
1	R8	8.2K
1	R9	3.9K
15		

Schematic of VixenTrak Module:



Dinesh Gajjar / 11th September 2008

Please visit <http://www.foxdelta.com> for more information on this project.