



Fox Delta

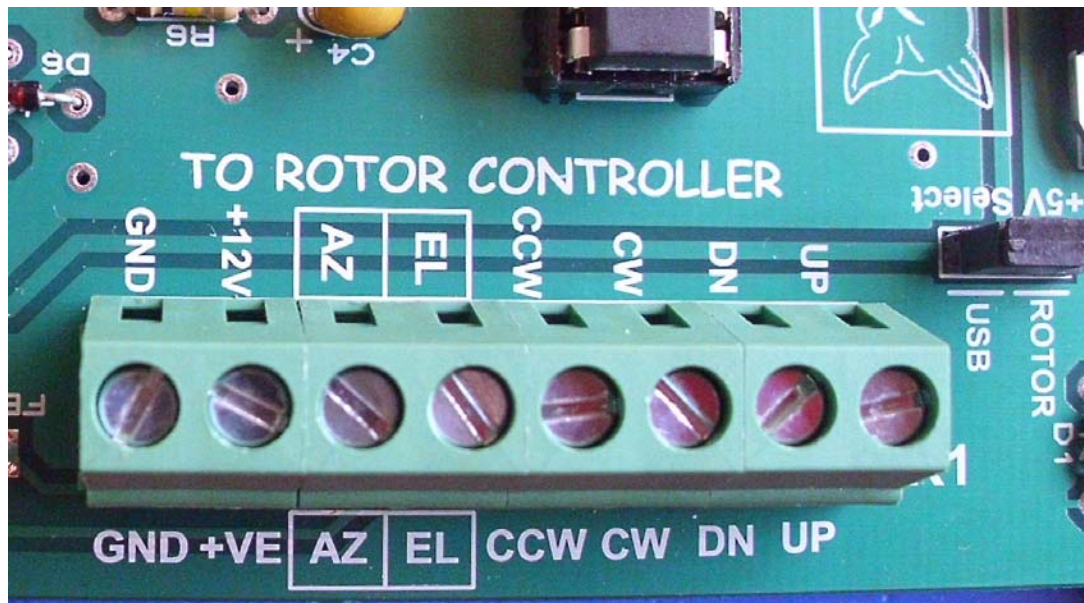
Amateur Radio Projects & Kits

FD- ST2- 0426

Preparing a cable for Using ST2 with Yaesu DIN8: G5400 & G5500

ST2 Input / Output Connections:

Straight Fix Connector:



Terminal Name / Purpose

GND	Ground
+VE	+12V from Rotor Controller – TO POWER ST2

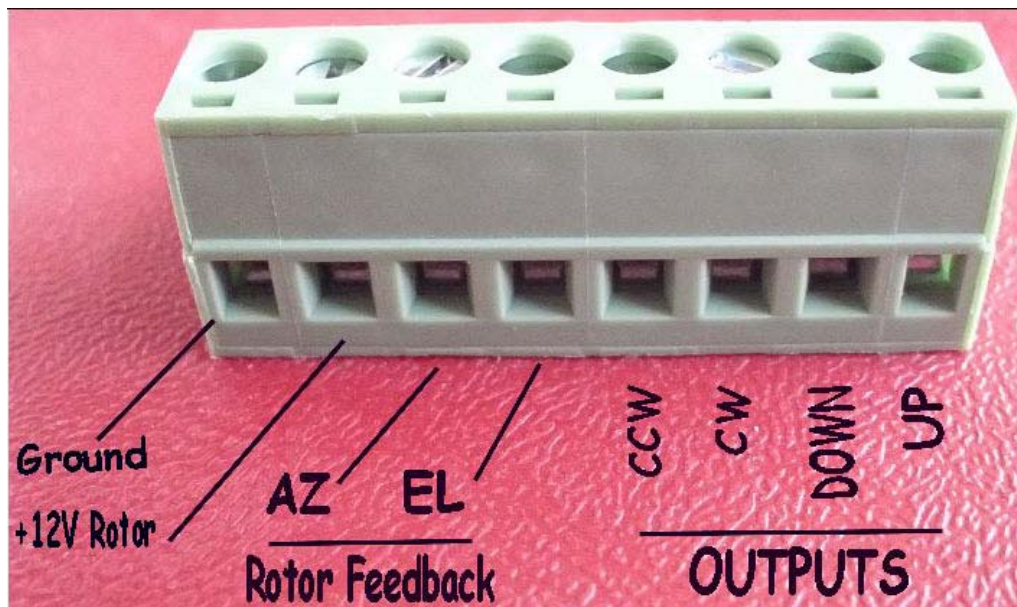
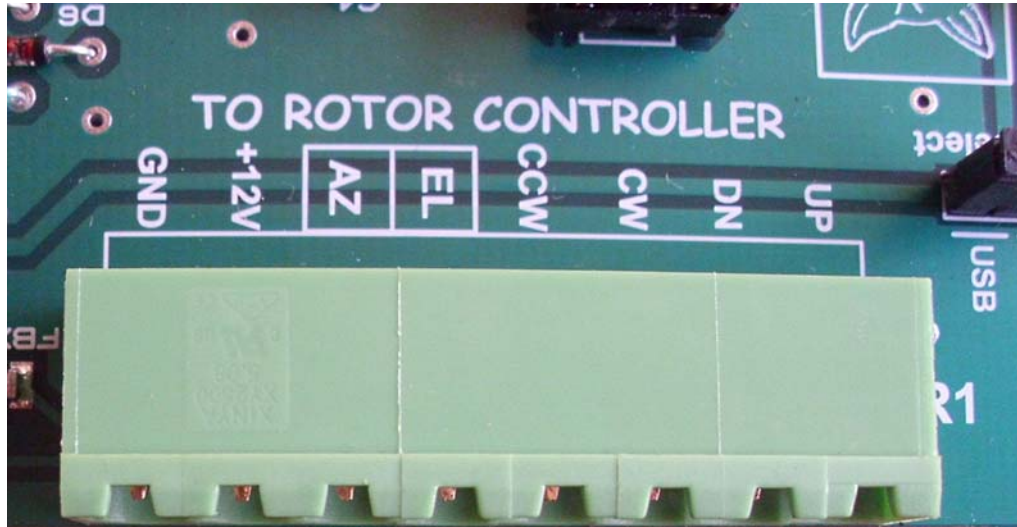
INPUTS FROM ROTOR:

AZ	Input: Azimuth A/D from Rotor (Position)
EL	Input: Elevation A/D from Rotor (Position)

OUTPUTS TO ROTOR:

L	Output: LEFT (AZ)
R	Output: Right (AZ)
DN	Output: DOWN (EL)
UP	Output: UP (EL)

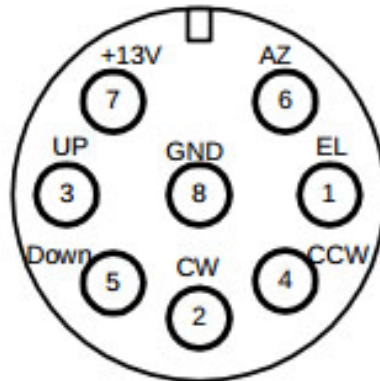
8pin Right Angle Removable Connector



Yaesu G5400/5500 DIN8 Connections:

Yaesu 5400/5500 Rotor cable

External control socket on the rear of 540/5500 rotor



DIN8 SOCKET ON BACK OF CONTROLLER: AS SEEN FROM BACKSIDE

DIN8 Connector #	ST2 Screw Terminal	Remarks
1	EL (Elevation)	INPUT FROM ROTOR CONTROLLER (Feedback) 0 to 5V
2	RIGHT (CW)	OUTPUT TO CONTROLLER
3	UP	OUTPUT TO CONTROLLER
4	LEFT (CCW)	OUTPUT TO CONTROLLER
5	DN (DOWN)	OUTPUT TO CONTROLLER
6	AZ (Azimuth)	INPUT FROM ROTOR CONTROLLER (Feedback) 0 to 5V
7	+VE	+12V From Controller to ST2
8	GND	GROUND

73s / Dinesh Gajjar / 26th June 2026

For more details, please visit Project Page: <http://www.foxdelta.com>