

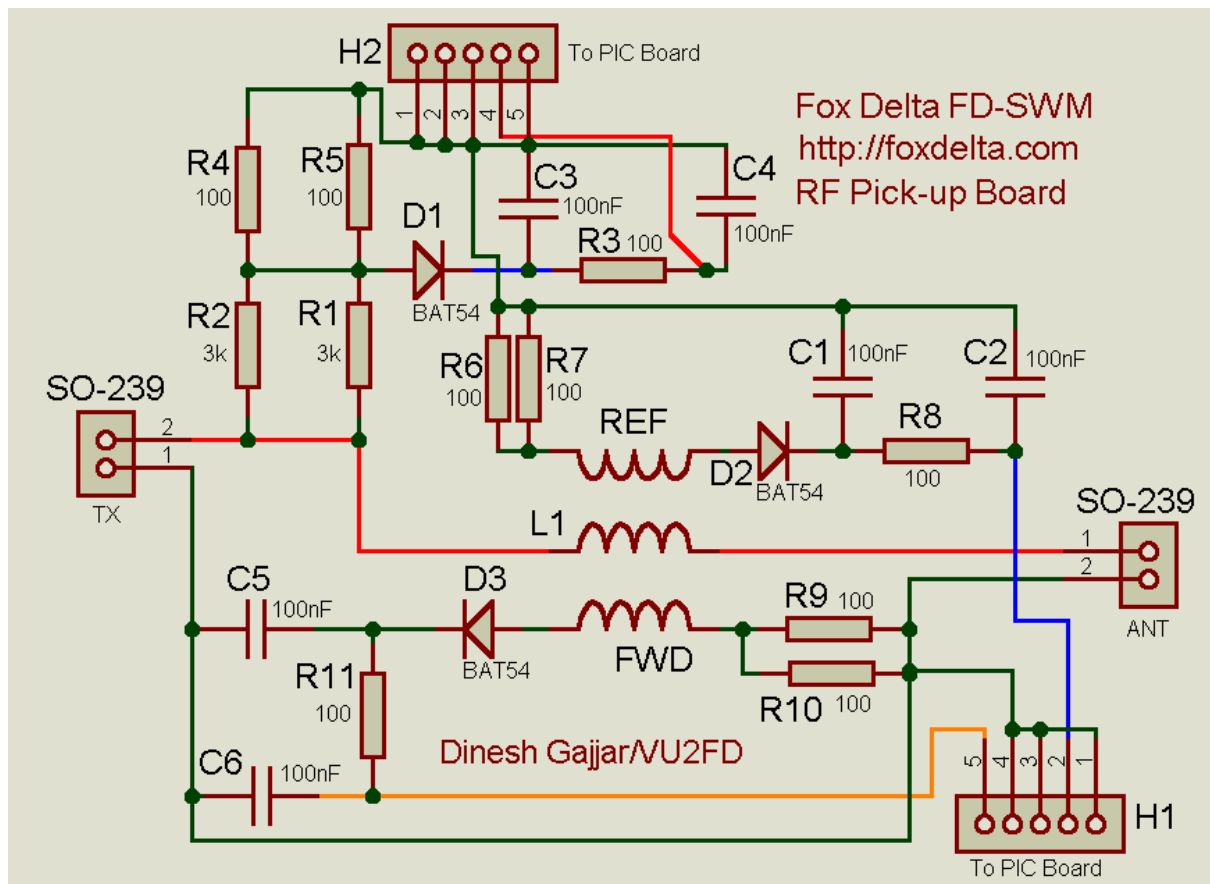


Schematic & Parts List: PIC16F88 Micro Controller LCD VHF/UHF SWR Meter

VHF/UHF SWR Meter Kit Parts List: CPU & Keyboard

Quantity	Check	Part Detail
1		PIC16F88 DIP (Programmed) U2
3		Push Buttons with PTH PCB
2		Spacers to support LCD
1		Double Sided PTH PCB "SWM-VHF"
1		7805 Regulator (U1)
1		IC Socket 18Pin (PIC16F88) U2
1		IC Sockets 8Pin (MCP6022) U3
1		LCD 2x16 With BL
1		MCP6022 Dual Op.Amp. DIP8 (U3)
1		BC107 (Q1)
2		1N4148 (D2/3)
1		DC Socket (J1)
1		1N4007
Parts		Capacitors, Resistors & Inductors
2		1uf Tantalum (C2, 3)
1		RV2/3 Preset, Bourns, 10T 100K
2		Header KB-H1/H2 – 6pin male/female
1		10K Bourns Preset (LCD BL) RV1
1		H3 header with 2 shorting pins
10		0.1uf Ceramic
1		100 ohms (R9)
2		0.01uf Ceramic (C9, C10)
2		470pf (CX1/2) (option, use only if Required)
5		47k (R1, R12, R13, R8, R11)
4		10k (R5, 4, 3, 2)
1		4.7k (R6)
1		1k (R10)
1		LED 3mm

Schematic of VHF/UHF SWR Bridge:



SWR Bridge Parts List: All parts are SMD

Quantity	Size	Details
9	1206	100 ohms
2	1206	3k
6	1206	0.1uf
2	1206	BAT54T1
2	--	SO239 / "N"
1	--	FD-SWM-S PTH PCB

Kit includes 8 spacers to support SO-239/N Connectors.

Dinesh Gajjar
 24th Dec 2007

For more details, please visit Project Page: <http://www.foxdelta.com>